

ZS Series N/O

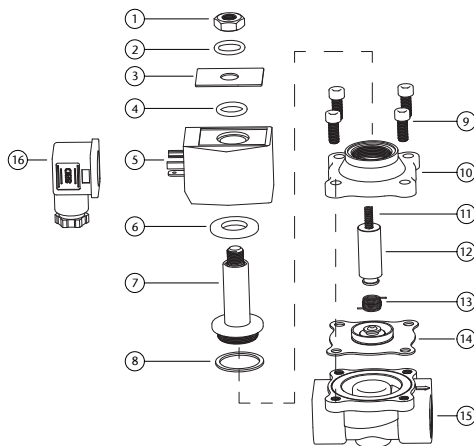
Solenoid Valves Normally Opened



Features

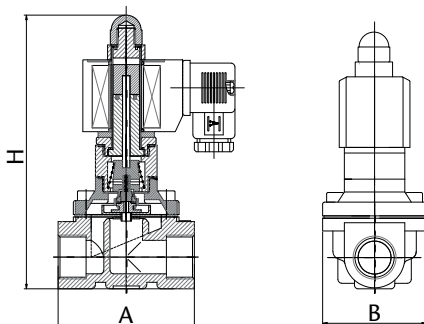
- Available in 230VAC, 110VAC, 12VDC, 24VDC, 24VAC
- Thread standard: ISO 228/1
- Coil Rating: IP 65
- Coil Duty Cycle: 100%
- Available sizes -
3/8", 1/2", 3/4", 1", 1.1/4", 1.1/2", 2"
- Flanged version available in
1", 1.1/4", 1.1/2", 2"

N.	Part Name	Materials
1	Locknut	Stainless Steel 302
2	Washer	Stainless Steel 302
3	Plate	Aluminium
4	O-Ring	NBR / EPDM / Viton
5	Coil	Enamelled Wire
6	Baseplate	Plated Steel
7	Plunger Tube Unit	Stainless Steel 304 + 1J117
8	Plunger Tube Seal	PTFE
9	Bolt	Stainless Steel 302
10	Valve Cover	Brass / Stainless Steel 316
11	Plunger Spring	Stainless Steel 304
12	Pilot Unit	Stainless Steel 304 + 1J117
13	Coil Spring	Stainless Steel 304
14	Diaphragm Unit	NBR / EPDM / Viton
15	Body	Brass / Stainless Steel 316
16	Plug	Nylon



Main Dimensions

See table opposite



ZS Series N/O



Valve Specification

Port Size (G)	Orifice	Kv Value	Pressure Difference (Bar)				Max. Temp (°C)	VA AC 230V	VA AC 110V	VA AC 24V	W DC 24V	Diaphragm	Main Dimension AxBxH
			Min.	Max. Working Pressure									
				Air / Gas	Water / Hot Liquid	Light Oil ≤20CST							
			AC DC	AC DC	AC DC								
3/8"	4	0.52	0	5 3	5 3	3 3	80	33	28	43	20	NBR	52.5x32.5x115
	4	0.52	0	5 3	5 3		120	33	28	43	20	EPDM	52.5x32.5x115
	4	0.52	0	5 3	5 3	3 3	120	33	28	43	20	VITON	52.5x32.5x115
	16	4.15	0	5 3	3 5	3 3	80	33	28	43	20	NBR	69x57x135
	16	4.15	0	5 3	3 5		120	33	28	43	20	EPDM	69x57x135
	16	4.15	0	5 3	3 5	3 3	120	33	28	43	20	VITON	69x57x135
1/2"	16	4.15	0	5 3	5 3	3 3	80	33	28	43	20	NBR	69x57x135
	16	4.15	0	5 3	5 3		120	33	28	43	20	EPDM	69x57x135
	16	4.15	0	5 3	5 3	3 3	120	33	28	43	20	VITON	69x57x135
3/4"	20	6.57	0	5 3	5 3	3 3	80	33	28	43	20	NBR	73x57x142
	20	6.57	0	5 3	5 3		120	33	28	43	20	EPDM	73x57x142
	20	6.57	0	5 3	5 3	3 3	120	33	28	43	20	VITON	73x57x142
1"	25	10.37	0	5 3	5 3	3 3	80	33	28	43	20	NBR	99x77.5x150
	25	10.37	0	5 3	5 3		120	33	28	43	20	EPDM	99x77.5x150
	25	10.37	0	5 3	5 3	3 3	120	33	28	43	20	VITON	99x77.5x150
1 1/4"	32	20.74	0	5 3	5 3	3 3	80	33	28	43	20	NBR	112x86.5x180
	32	20.74	0	5 3	5 3		120	33	28	43	20	EPDM	112x86.5x180
	32	20.74	0	5 3	5 3	3 3	120	33	28	43	20	VITON	112x86.5x180
1 1/2"	40	25.06	0	5 3	5 3	3 3	80	33	28	43	20	NBR	123x94x190
	40	25.06	0	5 3	5 3		120	33	28	43	20	EPDM	123x94x190
	40	25.06	0	5 3	5 3	3 3	120	33	28	43	20	VITON	123x94x190
2"	50	41.47	0	5 3	5 3	3 3	80	33	28	43	20	NBR	168x123x216
	50	41.47	0	5 3	5 3		120	33	28	43	20	EPDM	168x123x216
	50	41.47	0	5 3	5 3	3 3	120	33	28	43	20	VITON	168x123x216