

THP Series N/C

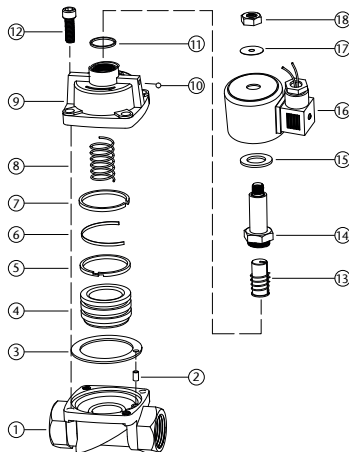
Solenoid Valves Normally Closed



Features

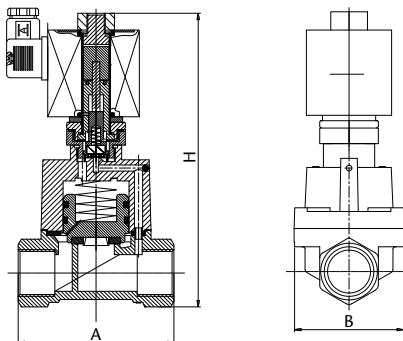
- Available in 230VAC, 110VAC, 12VDC, 24VDC, 24VAC
- Thread standard: ISO 228/1
- Coil Rating: IP 65
- Coil Duty Cycle: 100%
- Available sizes -
1/8", 1/4", 3/8", 1/2", 3/4", 1", 1.1/4", 1.1/2", 2"
- Flanged version available in
1", 1.1/4", 1.1/2", 2"

N.	Part Name	Materials
1	Body	Brass
2	Pin	Stainless Steel 304
3	Seal	PTFE
4	Piston Unit	Stainless Steel 316
5	Piston Ring 1	PTFE
6	Elastic Ring	Spring Steel
7	Piston Ring 1	PTFE
8	Piston Spring	Stainless Steel 304
9	Valve Cover	Brass
10	Bolt	Brass
11	Plunger Tube Seal	PTFE
12	Bolt	Stainless Steel 302
13	Pilot Unit	Stainless Steel 1J117
14	Plunger Tube Unit	Stainless Steel 304 + 1J117
15	Baseplate	Plated Steel
16	Coil	Enamelled Wire
17	Washer	Plated Steel
18	Lock Nut	Stainless Steel 302



Main Dimensions

See table opposite



THP Series N/C



Valve Specification

Port Size (G)	Orifice	Kv Value	Min.	Pressure Difference (Bar)						Steam	Max. Temp (°C)	VA AC 230V	VA AC 110V	VA AC 24V	W DC 24V	Diaphragm	Main Dimension Ax BxH
				Max. Working Pressure													
				Air / Gas		Water / Hot Liquid		Light Oil ≤20CST									
AC	DC	AC	DC	AC	DC	AC/DC											
1/8"	2.5	0.2	0	8	8	8	8	6	6	8	175	30	28	43	32	PTFE	48x25x85.5
	2.5	0.2	0	13	13	13	13	7	7	10	110	30	28	43	32	VITON	48x25x85.5
	4.5	0.52	0	7	4	7	4	4	4	7	165	30	28	43	32	PTFE	58x25x85.5
	4.5	0.52	0	7	4	7	4	4	4	7	110	30	28	43	32	VITON	58x25x85.5
1/4"	2.5	0.2	0	7	4	7	4	4	4	8	175	30	28	43	32	PTFE	48x25x85.5
	2.5	0.2	0	13	13	13	7	7	7	10	110	30	28	43	32	VITON	48x25x85.5
	4.5	0.52	0	7	4	7	4	4	4	7	165	30	28	43	32	PTFE	58x25x85.5
	4.5	0.52	0	7	4	7	4	4	4	7	110	30	28	43	32	VITON	58x25x85.5
3/8"	15	3.89	0.5	25	20	25	20	20	20	8	175	30	28	43	32	PTFE	75x52x129
	15	3.89	0.5	25	20	25	20	20	20	8	175	30	28	43	32	PTFE	75x52x129
3/4"	20	7.78	0.5	25	20	25	20	20	20	8	175	30	28	43	32	PTFE	85x60x141
1"	25	11.23	0.5	25	20	25	20	20	20	8	175	30	28	43	32	PTFE	100x70x148
1¼"	35	22.46	0.5	25	20	25	20	20	20	8	175	30	28	43	32	PTFE	120x90x168
1½"	35	22.46	0.5	25	20	25	20	20	20	8	175	30	28	43	32	PTFE	120x90x168
2"	50	41.47	0.5	25	20	25	20	20	20	8	175	30	28	43	32	PTFE	150x110x190