

Monolink 23/27

H Block complete with ART 23/27

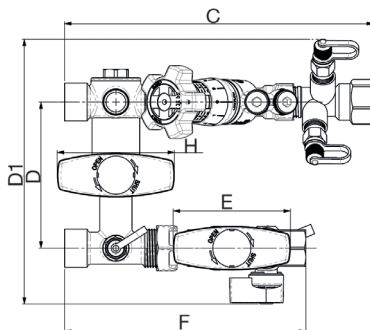
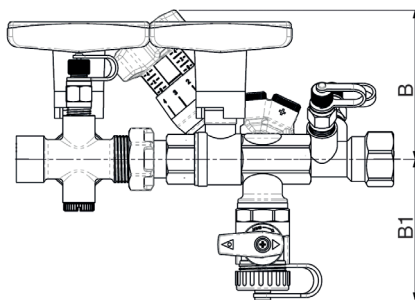


Features

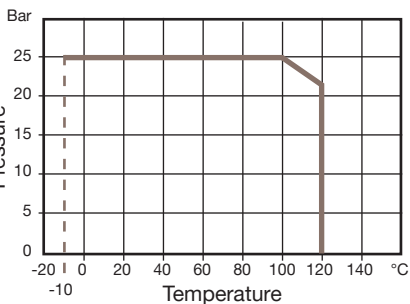
- Available in BSP
- Material DZR Brass EN12165 - CW602N-M
- Tested in accordance with EN 12266-1:2012
- 5 year guarantee

Technical data

Max pressure: 25 Bar
Working temp: -10°C to +120°C



Monolink Size	1/2"	1/2"
DN	DN15 UUL	DN15 UL
B	83	83
B1	79	79
C	211	211
D	100	100
D1	181	181
E	80	80
F	165	165
H	80	80



Part Name	
ART 23	DRV
ART 27	Orifice Plate
ART 731	H Block
ART 630	Ball valve, strainer and drain cock

V1. Dimensions in mm

This data sheet is designed as a guide and should not be regarded as wholly accurate in every detail. We reserve the right to amend the specification of any product without notice.