

Monolink 20C

H Block complete with ART 20C PICV

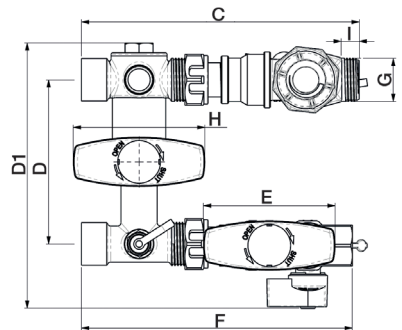
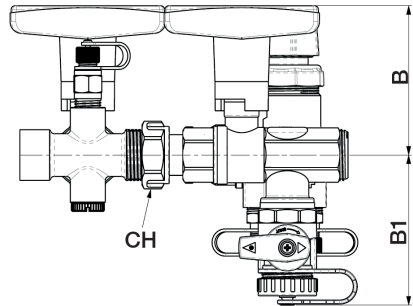


Features

- Available in BSP
- Material DZR Brass EN12165 - CW602N-M
- Tested in accordance with EN 12266-1:2012
- Flow modulation along whole control actuator stroke (ART C21V, C22V, C23E)
- 5 year guarantee

Technical data

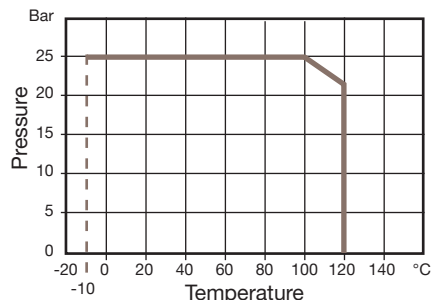
Max pressure: 25 Bar
Working temp: -10°C to +120°C



Monolink Size	1/2"	1/2"	3/4"	1"
PICV Size (20C)	DN10	DN15	DN20	DN25
External Thread (G)	1/2"	3/4"	1"	1 1/4"
B	77	77	84	84
B1	77	77	81	93
CH				
C	163	169	218	257
D	100	100	100	150
D1	162	162	164	216
E	80	80	80	80
F	165	165	197	240
H	80	80	80	80
I	8.5	11	12	13

Part Name

ART 20C	PICV
ART 731	H Block
ART 630	Ball valve, strainer and drain cock
ART C21V/C22V/C23E	Control Actuator



V1. Dimensions in mm

This data sheet is designed as a guide and should not be regarded as wholly accurate in every detail. We reserve the right to amend the specification of any product without notice.