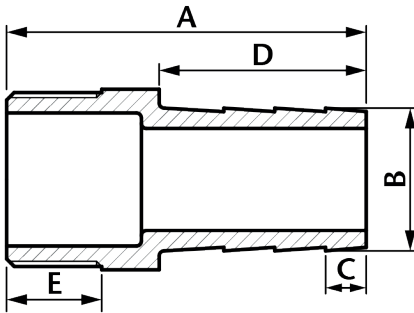


# HA Hose Adaptor

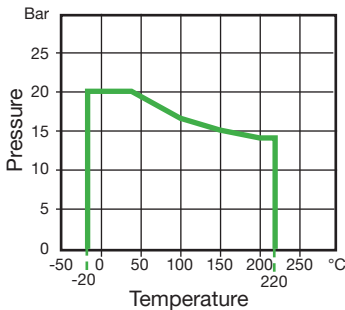


## Features

- Made from CF8M (316) Stainless Steel material and conform to ISO 4144 standard.
- Threads are to ISO 7-1 (DIN2999) BSPP Female, BSPT Male.
- Material certificates available on request.
- Tested & inspected prior to despatch.
- 12 month warranty from date of installation.
- Manufactured in accordance with ISO9001:2015 quality system.



DN	A	B	C	D	E	Kgs
1/4"	42.0	9.0	7.0	23.0	12.8	0.021
3/8"	47.8	10.0	7.5	25.0	15.0	0.035
1/2"	60.5	15.0	8.0	35.0	17.0	0.06
3/4"	70.0	20.5	10.0	42.5	18.0	0.104
1"	82.0	27.0	12.0	52.0	19.0	0.175
1 1/4"	82.9	34.0	12.0	51.0	20.5	0.231
1 1/2"	90.4	40.5	13.0	57.0	21.5	0.311
2"	108.0	52.3	15.5	69.5	25.5	0.512
2 1/2"	132.0	65.5	20.0	87.0	30.0	1.202
3"	145.0	78.0	23.5	97.0	33.0	1.131
4"	154.3	103.5	24.0	104.0	36.0	1.684



Temperature (°C)	Non-shock maximum working pressure (bar)
-20 to 40	20
100	16.5
150	15
200	14
220	13.5

- NOTE 1 Pressure for intermediate temperatures may be determined by the interpolation method.
- NOTE 2 Temperatures indicated are those of internal fluid.
- NOTE 3 Piping loads, stresses and moments are not taken into account.