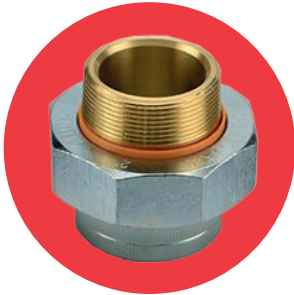


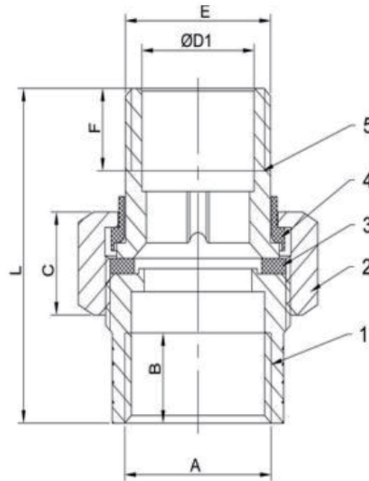
DEUMF

Dielectric Union



Features

- Female iron pipe thread to male brass pipe threaded connections
- Available with BSP Parallel threads (ISO 228/1) or NPT threads (ANSI B1.20.1)
- Complies with ASSE 1079



Technical data

Max. pressure: 17.2 Bar (250psi)

Max. temp: 82°C (180°F)

DN	1/2"	3/4"	1"	1 1/4"	1 1/2"	2"
A	G1/2"	G3/4"	G1"	G1.1/4"	G1.1/2"	G2"
B	16.5	17.0	18.0	20.0	20.0	22.0
C	19	20	22	25	28	28
E	G1/2"	G3/4"	G1"	G1.1/4"	G1.1/2"	G2"
F	15.0	17.0	16.0	18.0	20.0	20.5
L	57.0	59.5	67.0	73.0	75.0	79.0
Kgs	0.18	0.25	0.33	0.70	1.41	1.25

N.	Part Name	Materials
1	IPS Connection	Steel / Zinc Plated
2	Nut	Steel / Zinc Plated
3	Gasket	EPDM
4	Insert	Plastic
5	Connection	Brass