

# CRV / CRE

## Actuator to fit Rotary CRM & CLRM Valves

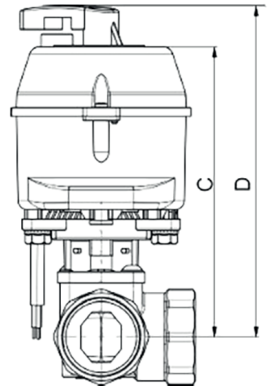
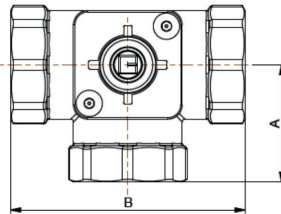
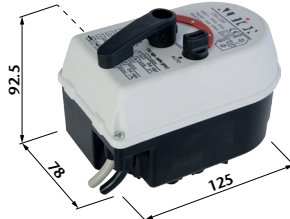


### Features

- Quick connection / release CLIP system utilised
- Synchronous motor with defined rotation direction
- CRV24 (24VAC) & CRV230 (230VAC) offers 3pt control
- CRE (24VAC) offers 0-10V, 4-20mA modulating control
- Auto / Man button with handle for manual operation
- Auxillary switches as standard on CRV
- 0-10VDC feedback signal as standard on CRE

### Technical data

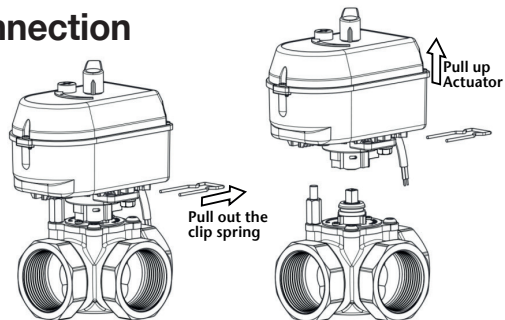
Max Torque: 15 Nm  
 Ingress Protection: IP44  
 Running Time: 73 sec / 90°



DN	15	20	25	32	40	50
Type	CRM15/3.0	CRM20/7.0	CRM25/11	CRM32/15	CRM40/25	CRM50/40
A	36	36	41	47	53	60
B	72	72	82	94	106	120
C	126	126	126	132	139	140
D	144	144	144	149	156	158
Connection	Rp 1/2"	Rp 3/4"	Rp 1"	Rp 1 1/4"	Rp 1 1/2"	Rp 2"
Kvs	3	7	11	15	25	40
Kgs	1.22	1.28	1.32	1.65	2.35	2.93

## Disconnection / Reconnection

For reconnection, insert clip spring into clip adapter on actuator and push actuator onto valve to hear 'click'.



V1. Dimensions in mm

This data sheet is designed as a guide and should not be regarded as wholly accurate in every detail. We reserve the right to amend the specification of any product without notice.