

ART GSF 2 1/2" - 4"

Automatic Gas Solenoid Valve



EN161



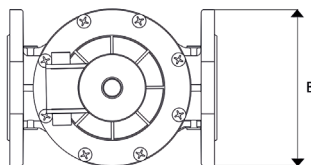
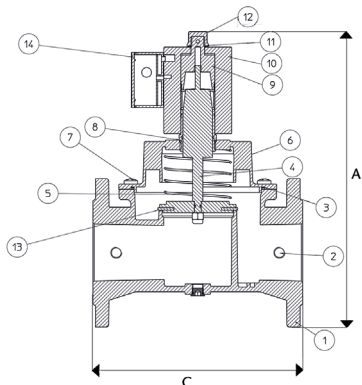
GAS APPROVED

Technical data

Max pressure: 360 mbar
Working temp: -20°C to +60°C

Features

- Flanged PN16
- Gas family 123 and air
- Complies with PED 2014/68/EU
- Fail safe closed
- Automatic reset



DN	2 1/2"	3"	4"
A	316	316	325
B	220	220	220
C	350	350	350
Kgs	9.6	9.6	15.8

N.	Part Name	Materials
1	Body	Aluminium Alloy
2	Screw Plugs	Aluminium Alloy
3	O-Ring	NBR
4	Plunger	Steel - Aluminium
5	Spring	Stainless Steel
6	Cover	Aluminium Steel
7	Screw	Steel
8	O-Ring	NBR
9	Pilot	Steel - Brass
10	Coil	Steel - Copper - Nylon
11	O-Ring	NBR
12	Locking Ring	Aluminium Alloy
13	Gasket	NBR
14	Connector	Nylon

Technical Features

Opening time	<1 second
Closing time	<1 second
Max number of operations	15 per minute
Incorporated	AISI 303 steel mesh filter
Supply Voltage	230V (-15%+10%) 50-60Hz
Power	230Vac
	DN65 - DN80 - DN100 peak power 400W
	Maintain power 4W
	Coils to class F
Test point	5 connections
	Screw 1/4" NPT
Protection degree	IP65
Weight	2 1/2" - 9.6kgs. 3" - 9.6kgs. 4" - 15.8kgs

V1. Dimensions in mm

This data sheet is designed as a guide and should not be regarded as wholly accurate in every detail. We reserve the right to amend the specification of any product without notice.