

# ART 670F

## Pressure Reducing Valve with gauge

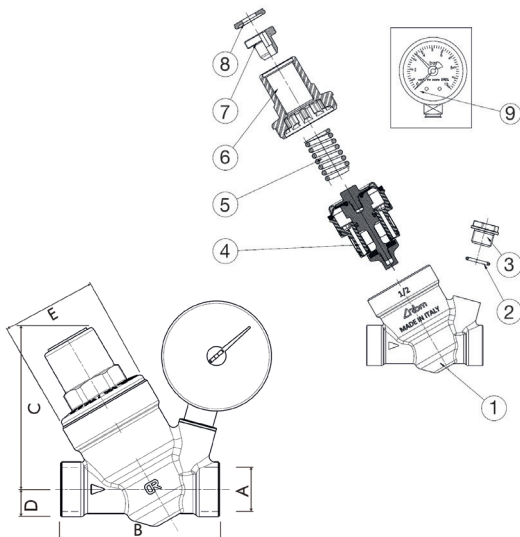


### Features

- BSP Parallel Female Ends (ISO 228/1)
- Controls static and dynamic pressure
- Conforms to BS EN 1567
- Easy to service high temperature cartridge
- AISI 304 stainless steel cartridge filter
- Supplied with a pressure gauge

### Technical data

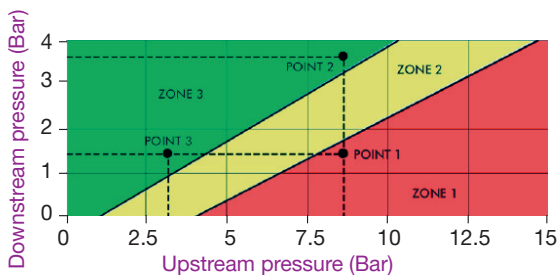
Max inlet pressure (static): 16 Bar  
 Adjustable pressure range: 0.5 - 6 Bar  
 Min inlet pressure: 0.5 Bar  
 Max inlet temperature: 80°C  
 Factory set pressure: 3 Bar



<b>A</b>	<b>1/2"</b>	<b>3/4"</b>
<b>B</b>	<b>75</b>	<b>78</b>
<b>C</b>	<b>76</b>	<b>77</b>
<b>D</b>	<b>18</b>	<b>16</b>
<b>E</b>	<b>46</b>	<b>46</b>
<b>Kgs</b>	<b>0.48</b>	<b>0.54</b>

N.	Part Name	Materials
1	Body	DZR Brass CW602N
2	O-Ring	EPDM + Perox
3	Plug	PA66 + 30% f.d.v
4	Cartridge	PA66 + 30% F.V. + colouring MACROVERS 564FA
5	Spring	EN 0270-3-1.4310
6	Bonnet	PA66+30% f.d.v.
7	Adjustable Plug	CW614N
8	Plastic Cap	PC / ABS
9	Pressure gauge	

### Cavitation Chart



V1. Dimensions in mm

This data sheet is designed as a guide and should not be regarded as wholly accurate in every detail. We reserve the right to amend the specification of any product without notice.