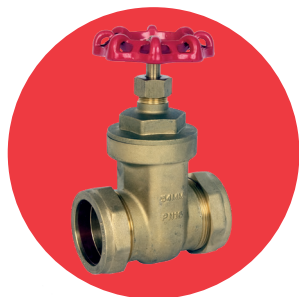


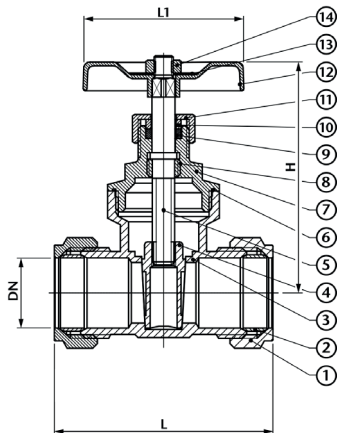
ART 615

PN16 Brass Gate Valve



Features

- Compression Ends
- Brass body & wedge
- BS5154



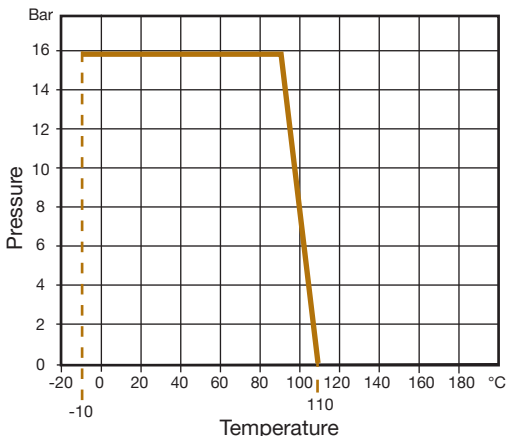
Technical data

Max pressure: 16 Bar

Working temp: -10°C to +110°C

DN	15	22	28	35	42	54
L	60	68	76	93	98	118
L1	49	49	59	77	77	100
H	65	74.5	84	126	134	162
Kv	20	33	57	112	185	257
Kgs	0.25	0.37	0.52	1.04	1.35	2.23

N.	Part Name	Materials
1	Compression Nut	Brass HPb59-1
2	Olive	T2
3	Body	Brass HPb59-1
4	Wedge	Brass HPb59-1
5	Stem	Brass HPb59-1
6	Seat	PTFE
7	Bonnet	Brass HPb59-1
8	Lock Ring	Brass HPb59-1
9	Packing	PTFE
10	Packing Gland Washer	Brass HPb59-1
11	Packing Gland Nut	Brass HPb59-1
12	Handwheel	Cast Iron
13	Nameplate	Aluminium
14	Nut	Brass HPb59-1



V1. Dimensions in mm

This data sheet is designed as a guide and should not be regarded as wholly accurate in every detail. We reserve the right to amend the specification of any product without notice.