

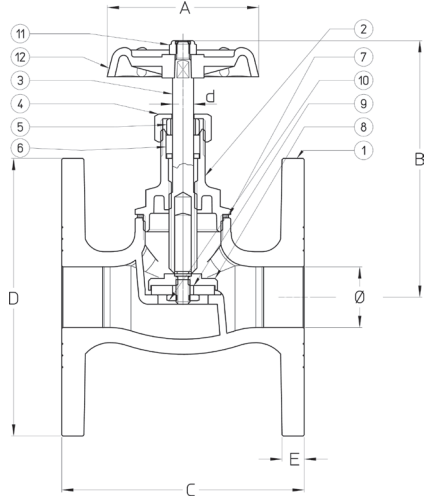
ART 390

PN16 Flanged Bronze Globe Valve



Features

- Flanged PN16 to BS EN1092
- BS 5154 (BS EN12288)



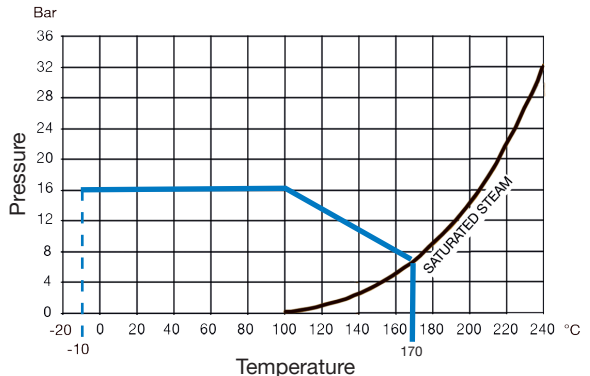
Technical data

Max pressure: 16 Bar

Working temp: -10°C to +170°C

DN	1/2"	3/4"	1"	1 1/4"	1 1/2"	2"	2 1/2"	3"	4"
Ø	15	20	25	32	40	50	70	80	100
A	55	55	65	65	80	80	120	120	175
B	98	108	120	130	155	165	210	265	305
C	84	95	105	115	134	156	170	180	200
D	95	105	120	140	150	165	185	200	230
E	8	8	9.5	9.5	11	11	13	13	17
d	8	8	9	9	10	10	16	19	22
Kv	2.3	4.8	7.0	11.0	17.0	25.0	57.0	72.0	120.0
Kgs	1.23	1.71	2.30	3.32	4.63	6.00	6.84	11.80	17.90

N.	Part Name	Materials
1	Body	Bronze CC491K
2	Bonnet	Brass CW617N
3	Stem	Brass CW617N
4	Gland Nut	Brass CW617N
5	Gland	Brass CW617N
6	Gland Packing	AF 15/MA
7	Body Packing	NA 1100
8	Disc Holder	Brass CW617N
9	Disc	PTFE
10	Disc Nut	Brass CW617N
11	Nut	Steel
12	Handwheel	Aluminium Alloy



V1. Dimensions in mm

This data sheet is designed as a guide and should not be regarded as wholly accurate in every detail. We reserve the right to amend the specification of any product without notice.