

ART 37

DZR Brass Double Check Valve



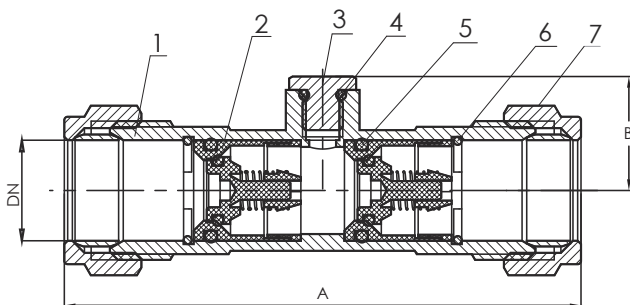
Technical data

Max pressure: 10 Bar

Working temp: -10°C to 85°C

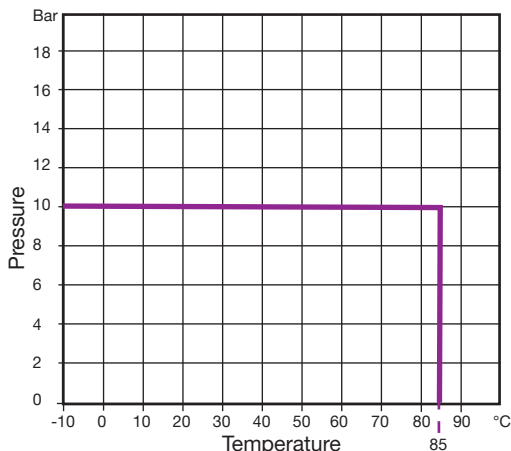
Features

- Compression ends
- Conforms with EN13959
- Prevention of back flow and back syphonage contamination



DN	15	22	28
A	79	100	112
B	16	18.5	21
Kv	3.7	7.1	10.3
Kgs	0.10	0.19	0.30

N.	Part Name	Materials
1	Body	DZR Brass
2	Non-return core	POM
3	Screw	Brass HPb59-T
4	O-Ring	NBR
5	Catch Spring	Stainless Steel 304
6	Compression Nut	Brass HPb59-T
7	Olive	Copper T2



V1. Dimensions in mm

This data sheet is designed as a guide and should not be regarded as wholly accurate in every detail. We reserve the right to amend the specification of any product without notice.