

ART 34NPT

Thermostatic Mixing Valve (TMV)

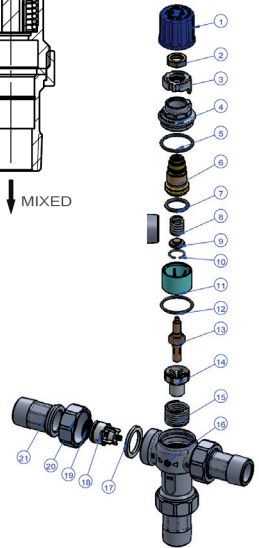
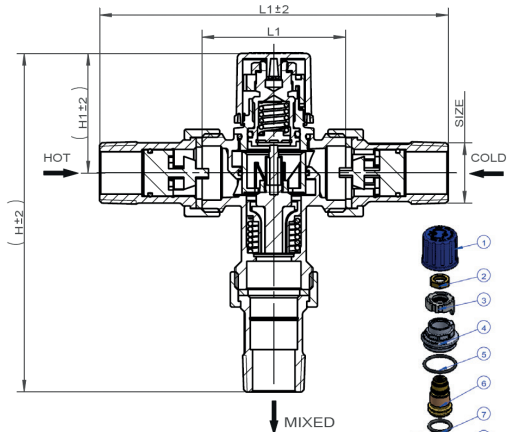


Features

- Cold water supply temperature 4°C - 27°C
- Hot water supply temperature 49°C - 82°C
- Temperature adjustment range 30°C - 49°C
- Working temperature range 38°C - 44°C
- Factory temperature setting 41°C ±2°C
- Mix temperature stability 1.7°C
- Max supply pressure 125psi
- Temperature differential 10°C
- Maximum temperature 90°C
- Flow rate minimum 4 litres/min (1gpm)
- ASSE 1017 Approved

Technical data

Max supply pressure 125psi
Temp adjustment range 30°C to 49°C



| N. | Part Name | Materials |
|----|----------------------|---------------------|
| 1 | Cap | ABS |
| 2 | Locking Cap | Brass C46500 |
| 3 | Locating Ring | POM+25%GF |
| 4 | Bonnet | Brass C46500 |
| 5 | O-Ring | EPDM WRAS approved |
| 6 | Stem | Brass C46500 |
| 7 | O-Ring | EPDM WRAS approved |
| 8 | Spring | Stainless Steel 304 |
| 9 | Block | Brass C46500 |
| 10 | Circlip | Stainless Steel 304 |
| 11 | Piston | PSU |
| 12 | O-Ring | EPDM WRAS approved |
| 13 | Thermostat | Assembly |
| 14 | Water Flow Directors | PSU |
| 15 | Spring | Stainless Steel 304 |
| 16 | Valve Body | Brass C46500 |
| 17 | Gasket | EPDM WRAS approved |
| 18 | Check Valve | Acetal |
| 19 | Strainer | Stainless Steel 304 |
| 20 | Union Nut | Brass C37700 |
| 21 | Connect Pipe | Brass C46500 |

| DN | 1/2" | 3/4" |
|-----|-------|-------|
| H | 136.3 | 143.8 |
| H1 | 50.8 | 50.8 |
| L | 135 | 146 |
| L1 | 59 | 61 |
| Kgs | 0.51 | 0.73 |

V1. Dimensions in mm

This data sheet is designed as a guide and should not be regarded as wholly accurate in every detail. We reserve the right to amend the specification of any product without notice.