

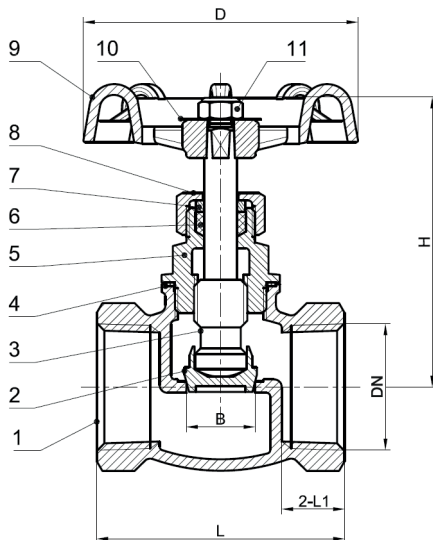
# ART 348

## PN20 Bronze Globe Valve



### Features

- Screwed BSP Taper (ISO 7/1) or NPT (ANSI B1.20.1)
- EN12288 / MSS-SP-80



### Technical data

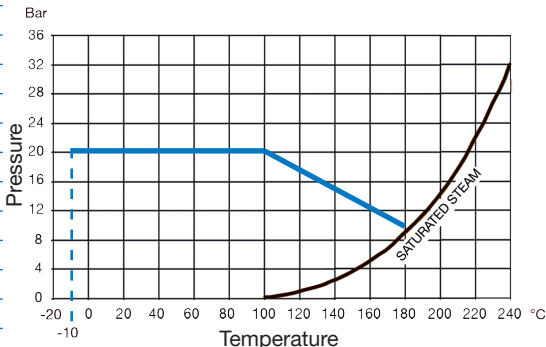
Max pressure: 20 Bar

Working temp: -10°C to +180°C

DN	1/2"	3/4"	1"	1 1/4"	1 1/2"	2"
B	10	13	18	23	30	38
L1	13.5	14.5	16.5	17.5	17.5	22.5
L	50	56	65	74	80	100
D	60	60	72	72	78	99
H	62.5 - 69.5	69.5 - 77	76.7 - 85	88.6 - 99	98 - 109	114.6 - 131
Kv	2.3	3.4	6.0	9.5	15.5	27.7
Kgs	0.27	0.33	0.55	0.78	1.00	1.67

### N. Part Name Materials

1	Body	Bronze - C83600 ASTM B62
2	Disc	Bronze - CW617N ASTM C38000
3	Stem	Bronze - CW617N ASTM C38000
4	Seal Ring	PTFE
5	Bonnet	Bronze - C83600 ASTM B62
6	Packing	PTFE
7	Gasket	Brass - HPb59-2 RA C35300 ASTM B36
8	Packing Gland	Brass - HPb59-2 RA C35300 ASTM B36
9	Handwheel	Cast Iron - HT200 ASTM A48
10	Nameplate	Aluminium
11	Nut	Stainless Steel 304 - ASTM A240



V1. Dimensions in mm

This data sheet is designed as a guide and should not be regarded as wholly accurate in every detail. We reserve the right to amend the specification of any product without notice.