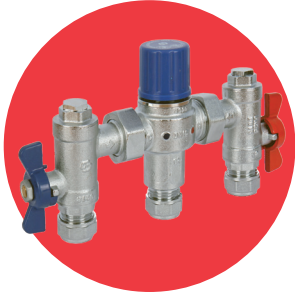


# ART 33SV

## Thermostatic Mixing Valve (TMV)



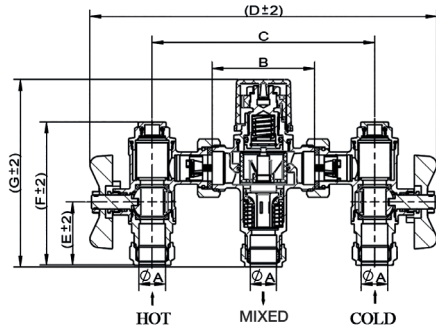
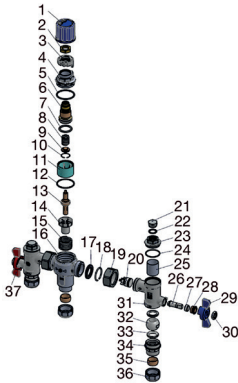
### Features

- Cold water supply temperature 5°C - 25°C
- Hot water supply temperature 55°C - 65°C
- Temperature adjustment range 30°C - 48°C
- Working temperature range 38°C - 44°C
- Factory set thermostatic controller 42°C 0/2°C
- Accuracy of outlet temperature ±2°C
- Min. temperature differential 12°C (between hot supply and outlet temp)
- Supply pressure imbalance dynamic 2:1
- Flow rate minimum 5 Litres/min



### Technical data

Max pressure (Static) 10 Bar  
 Max pressure (Dynamic) 5 Bar



DN	15	22
A	Ø15.1	Ø22.1
B	59	61
C	128	129
D	200	201
E	36	38
F	82	86
G	108	110
Kgs	0.82	1.01

N.	Part Name	Materials
1	Cap	ABS
2	Locking Cap	CW617N
3	Locating Ring	POM+25%GF
4,23,34	Bonnet*	CW602N chrome plated
5, 7, 12, 22, 24	O-ring*	EPDM WRAS Approved
6, 26	Stem*	DZR Brass CW602N
8, 15	Spring*	Stainless Steel
9	Block*	DZR Brass CW602N
10, 18	Circlip*	Stainless Steel
11	Piston*	PSU
13	Thermostat*	Subassembly
14	Water Flow Directors*	PSU
16	Valve Body*	CW602N chrome plated
17	Gasket*	EPDM WRAS Approved

N.	Part Name	Materials
19	Union Nut	Brass CW617N chrome plated
20	Check Valve	Element WRAS Approved
21	Plug	DZR Brass CW602N chrome plated
25	Screen	Stainless Steel
27	Packing	PTFE WRAS Approved
28	Packing Nut	Brass CW617N
29, 37	Lever	Aluminium Alloy
30	Locknut	Steel dacromet plated
31	Body	DZR Brass CW602N chrome plated
32	Ball	DZR Brass CW602N chrome plated
33	Seat	PTFE WRAS Approved
35	Sleeve	CW507L
36	Union Nut	DZR Brass CW602N chrome plated

V1. Dimensions in mm

This data sheet is designed as a guide and should not be regarded as wholly accurate in every detail. We reserve the right to amend the specification of any product without notice.