

ART 33MBSP

Thermostatic Mixing Valve (TMV)



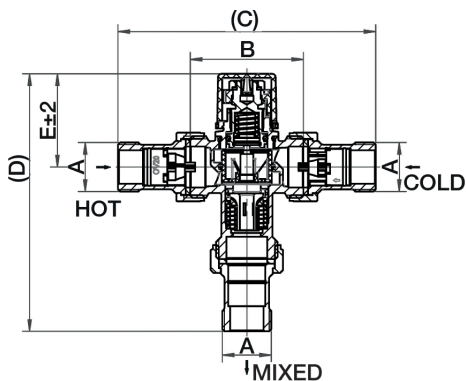
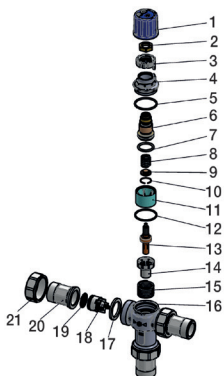
Features

- Cold water supply temperature 5°C - 25°C
- Hot water supply temperature 55°C - 65°C
- Temperature adjustment range 30°C - 50°C
- Working temperature range 38°C - 44°C
- Pre-set thermostatic controller 41°C
- Accuracy of outlet temperature ±2°C
- Min. temperature differential 12°C (between hot supply and outlet temp)
- Supply pressure imbalance dynamic 2:1
- Flow rate minimum 5 Litres/min



Technical data

Max pressure (Static) 10 Bar
 Max pressure (Dynamic) 5 Bar
 Temp adjustment range 30°C to 50°C



DN	1/2"	3/4"
A	G1/2"	G3/4"
B	59	61
C	114	135
D	126	137
E	50.9	50.9
Kgs	0.51	0.73

N. Part Name Materials

1	Cap	ABS
2	Locking Cap	Brass CW617N
3	Locating Ring	POM+25%GF
4	Bonnet	DZR Brass CW602N chrome plated
5	O-Ring	EPDM WRAS approved
6	Stem	DZR Brass CW602N
7	O-Ring	EPDM WRAS approved
8	Spring	Stainless Steel
9	Block	DZR Brass CW602N
10	Circlip	Stainless Steel
11	Piston	PSU

N. Part Name Materials

12	O-Ring	EPDM WRAS approved
13	Thermostat	Subassembly
14	Water Flow Directors	PSU
15	Spring	Stainless Steel
16	Body	DZR Brass CW602N chrome plated
17	Gasket	EPDM WRAS approved
18	Check Valve	Element WRAS approved
19	Strainer	Stainless Steel
20	Connect Pipe	DZR Brass CW602N chrome plated
21	Union Nut	Brass CW617N chrome plated

V1. Dimensions in mm

This data sheet is designed as a guide and should not be regarded as wholly accurate in every detail. We reserve the right to amend the specification of any product without notice.