

ART 311

Bronze Drain Cock (Lockshield)



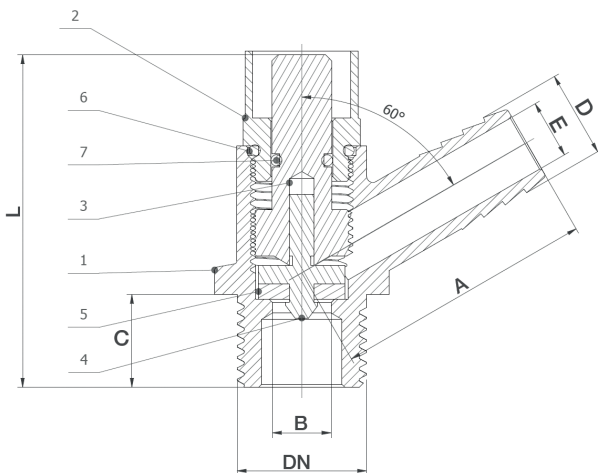
Technical data

Max pressure: 16 Bar

Working temp: -20°C to +120°C

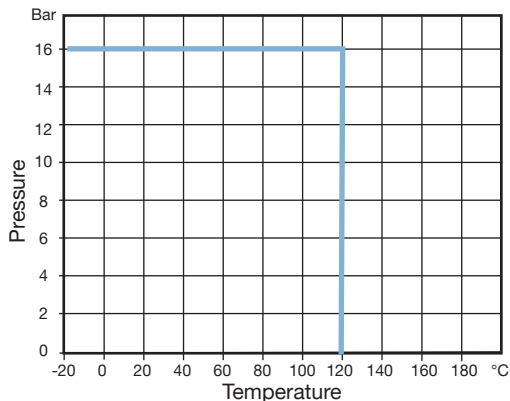
Features

- Screwed Male BSP Taper (ISO 7/1)
- BS 2879/2 Type A
- Hose connection outlet



| DN | 1/2" | 3/4" |
|-----|-----------|---------|
| A | 42 | 54 |
| B | Ø9.5 | Ø14.2 |
| C | 15 | 17 |
| D | Ø14 | Ø20.5 |
| E | Ø9.5 | Ø14 |
| L | 53.5-58.5 | 65-71.5 |
| Kgs | 0.13 | 0.27 |

| N. | Part Name | Materials |
|----|-----------|---------------|
| 1 | Body | Bronze CC491K |
| 2 | Bonnet | Brass Hpb9-1 |
| 3 | Stem | Brass Hpb9-1 |
| 4 | Baffle | Brass Hpb9-1 |
| 5 | Washer | EPDM |
| 6 | O-Ring | EPDM |
| 7 | O-Ring | EPDM |



V1. Dimensions in mm

This data sheet is designed as a guide and should not be regarded as wholly accurate in every detail. We reserve the right to amend the specification of any product without notice.