

ART 31

DZR Brass Thermostatic Balancing Valve



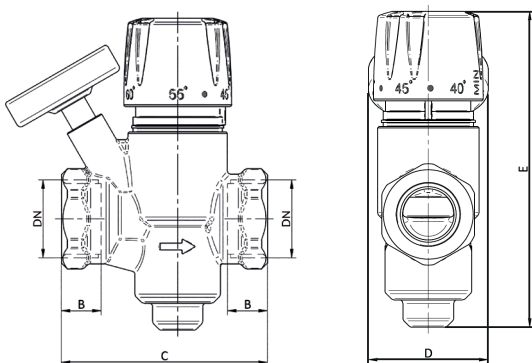
Features

- BSP Parallel (ISO 228/1)
- Fluid: water
- Improves efficiency of DHW systems
- Automatically responds to changes in system temperature and flow requirements
- Reduces heat loss through lower circulation of hot water
- Keeps temperature evenly distributed and reduces dead-legs

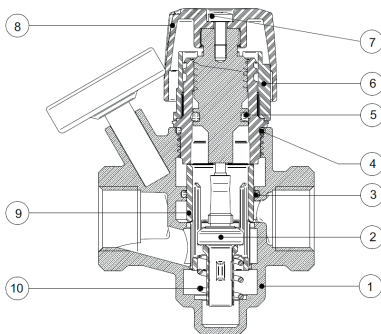


Technical data

Max pressure (Static): 10 Bar
 Working temp: +40°C to +60°C
 Max Inlet temp: 90°C



DN	1/2"	3/4"
B	13.5	13.5
C	70	73
D	40	40
E	Max 110	Max 110
Kgs	1.5	1.5



N. Part Name

Materials

1	Body	DZR Brass
2	Element	Thermostatic Element
3	O-Ring	EPDM
4	O-Ring	EPDM
5	O-Ring	EDPM
6	Locking Ring	ABS
7	Screw	Stainless Steel
8	Cap	ABS
9	Regulator	Plastic S2010 G4
10	Spring	Stainless Steel

Flow

