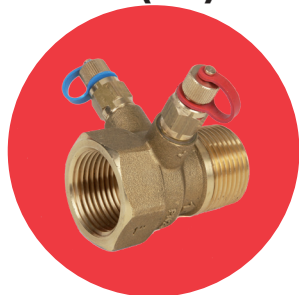


ART 27

PN20 DZR Brass Orifice Plate (OP)



Features

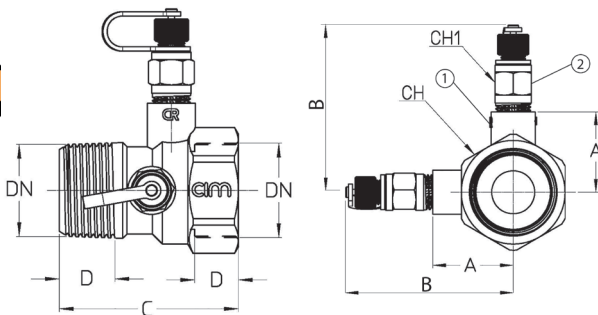
- BSP Parallel (1/2") Taper (3/4" - 2") (ISO 7/1)
- Fixed orifice with $\pm 5\%$ flow measurement accuracy
- Can be close coupled to a double regulating valve
- Supplied with 2 fitted test points
- 1/2" available in Std, Med, Low, Ultra Low and Ultra Ultra Low flow versions



Technical data

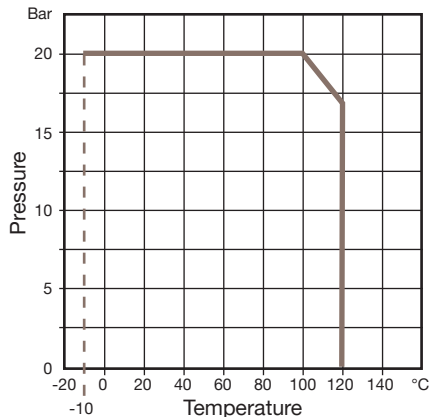
Max pressure: 20 Bar

Working temp: -10°C to $+120^{\circ}\text{C}$



DN	1/2"UUL	1/2"UL	1/2"L	1/2"M	1/2"	3/4"	1"	1 1/4"	1 1/2"	2"
A	25	25	25	25	25	28	31	36	39	45
B	59	59	59	59	59	62	65	70	73	79
C	66.5	66.5	66.5	66.5	66.5	66.5	63.5	71	71	79.5
D	17	17	17	17	17	17	19	22	21	26
CH	28	28	28	28	28	34	40	51	56	71
CH1	14	14	14	14	14	14	14	14	14	14
Kvs	0.10	0.23	0.47	0.98	1.80	4.06	7.45	16.63	23.00	47.35
kgs	0.23	0.23	0.23	0.23	0.23	0.27	0.32	0.47	0.53	0.81

N.	Part Name	Materials
1	Body	DZR Brass
2	Binder Test Point	DZR Brass



V1. Dimensions in mm

This data sheet is designed as a guide and should not be regarded as wholly accurate in every detail. We reserve the right to amend the specification of any product without notice.