

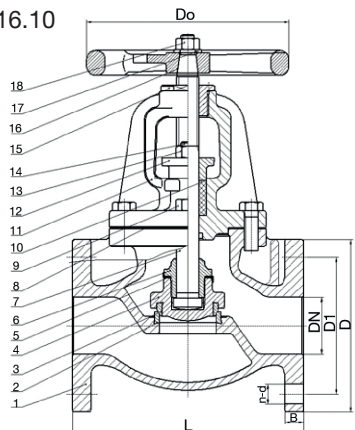
# ART 261 ANSI

## ANSI 125 Cast Iron Globe Valve



### Features

- Flanged ANSI 125 (B16.1)
- Class 125 rated
- OSY rising stem
- Conforms to ASME B16.10 & MSS SP-85



### Technical data

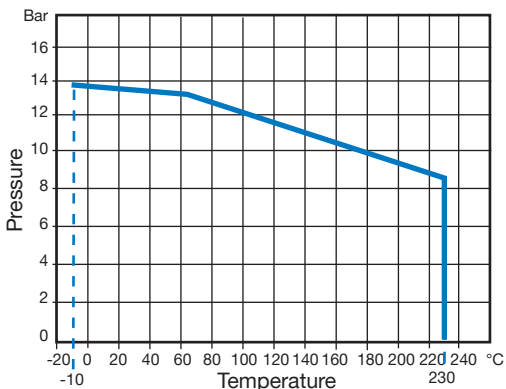
Max pressure: 13.8 Bar

Working temp: -10°C to +230°C

DN	2"	2 1/2"	3"	4"	5"	6"	8"	10"	12"
L	203	216	241	292	330	356	495	622	698.5
D	152	178	190	229	254	279	343	406	483
D1	120.5	139.5	152.5	190.5	216	241.5	298.5	362	432
B	15.9	17.5	19.1	23.9	23.9	25.4	28.6	30.2	31.8
n-d	4-19	4-19	4-19	8-19	8-22	8-22	8-22	12-25	12-25
Do	178	178	200	254	300	300	348	400	457
Kgs	15.6	21.5	30.9	46.8	68.4	92.6	157	219	302

### N. Part Name Materials

1	Body	Cast Iron ASTM A 126-B
2	Body Ring	Cast Bronze ASTM B 62
3	Disc Ring	Cast Bronze ASTM B 62
4	Disc	Cast Iron ASTM A 126-B
5	Washer	Stainless Steel ASTM 304
6	Disc Nut	Cast Brass Mn-Brass
7	Stem	Brass ASTM B 16
8	Gasket	Graphite Non-Asbestos
9	Bolt	Steel ASTM A 307-B
10	Packing	Graphite Non-Asbestos
11	Bonnet	Cast Iron ASTM A 126-B
12	Packing Gland	Ductile Iron ASTM A536 65-45-12
13	Nut	Steel
14	Bolt	Steel
15	Stem Nut	Cast Brass Mn-Brass
16	Handwheel	Cast Iron ASTM A 126-B
17	Washer	Steel
18	Nut	Steel ASTM A 563-B



V1. Dimensions in mm

This data sheet is designed as a guide and should not be regarded as wholly accurate in every detail. We reserve the right to amend the specification of any product without notice.