

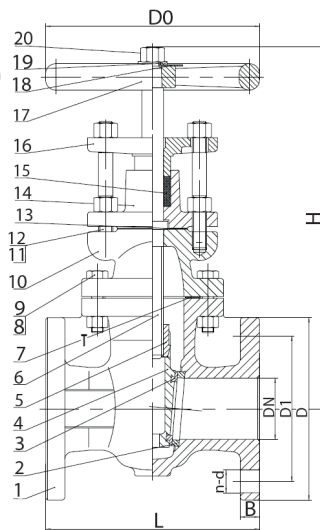
# ART 234 ANSI

## Cast Iron Gate Valve



### Features

- Flanged ANSI 125 (B16.1)
- Class 125 rated
- Non-rising stem
- Conforms to ASME B16.10
- MSS-SP-70



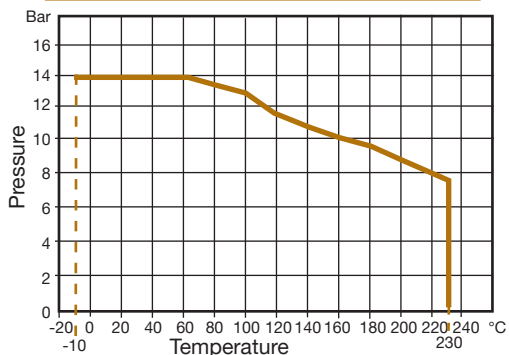
### Technical data

Max pressure: 13.8 Bar  
Working temp: -10°C to +230°C

DN	2"	2 1/2"	3"	4"	5"	6"	8"	10"	12"	14"	16"	18"	20"	24"
L	178	190	203	229	254	267	292	330	356	381	406	432	457	508
D	152	178	190	229	254	279	343	406	483	533	597	635	699	813
D1	121	140	153	191	216	241	299	362	432	476	540	578	635	750
B	16	18	19	24	24	25	29	30	32	35	37	40	43	48
n-d	4-19	4-19	4-19	8-19	8-22.2	8-22.2	8-22.2	12-25.4	12-25.4	12-28.6	16-28.6	16-32	20-32	20-35
D0	178	178	200	254	300	300	348	400	457	560	560	610	610	765
H	302	332	335	423	485	545	644	769	860	987	1044	1148	1257	1418
Kgs	16.5	21.6	26.5	47.2	68.0	87.0	118.0	197.0	275.0	370.0	462.5	635.0	800.0	1135.0

N. Part Name	Materials
1 Body	Cast Iron ASTM A 126-B
2 Body Seat Ring	Cast Bronze ASTM B 62
3 Wedge Seat Ring	Cast Bronze ASTM B 62
4 Wedge	Cast Iron ASTM A 126-B
5 Wedge Nut	Cast Brass Mn-Brass
6 Stem	Brass ASTM B 16
7 Gasket	Graphite Non Asbestos
8 Bolt	Steel ASTM A 307 B
9 Nut	Steel ASTM A 563 B
10 Bonnet	Cast Iron ASTM A 126-B
11 Gland Follower Bolt	Steel
12 Nut	Steel
13 Gasket	Graphite Non Asbestos
14 Stuffing Box	Cast Iron ASTM A 126-B
15 Packing	Graphite Non Asbestos
16 Gland Follower	Ductile Iron ASTM A 536 65-45-12
17 Handwheel	Cast Iron ASTM A 126-B

N. Part Name	Materials
18 Identification Plate	Aluminium
19 Washer	Steel
20 Nut	Steel ASTM A 563 B



V1. Dimensions in mm

This data sheet is designed as a guide and should not be regarded as wholly accurate in every detail. We reserve the right to amend the specification of any product without notice.