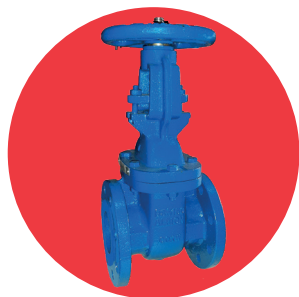


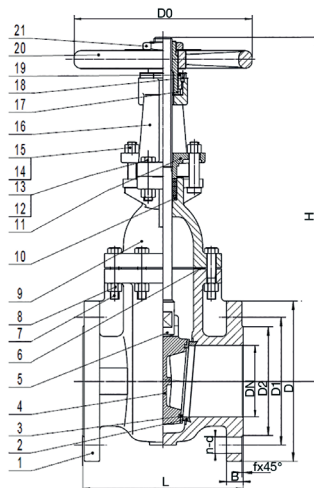
ART 225

PN16 Cast Iron Gate Valve



Features

- Flange mounting PN16 only
- Flange conforms to BS EN1092 PN16
- OSY rising stem
- Conforms to BS5150 (BS EN558-1 series 3)



Technical data

Max pressure: 16 Bar

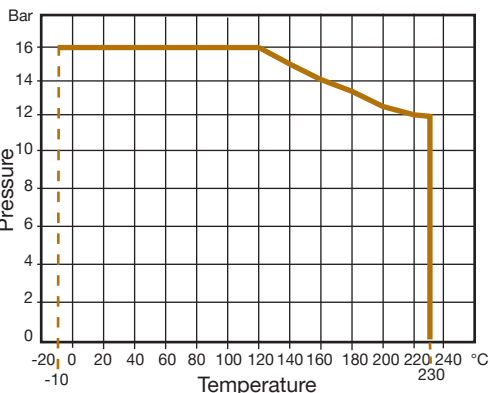
Working temp: -10°C to +230°C

DN	2"	2 1/2"	3"	4"	5"	6"	8"	10"	12"	14"	16"	18"	20"	24"
L	178	190	203	229	254	267	292	330	356	381	406	432	457	508
D	165	185	200	220	250	285	340	405	460	520	580	640	715	840
D1	125	145	160	180	210	240	295	355	410	470	525	585	650	770
D2	99	118	132	156	184	211	266	319	370	429	480	548	609	720
B	20	20	22	24	26	26	30	32	32	36	38	40	42	48
n-d	4- 19	4- 19	8- 19	8- 19	8- 19	8- 23	12- 23	12-28	12-28	16-28	16-31	20- 31	20- 34	20- 37
D0	178	178	200	254	300	300	348	400	457	560	560	610	610	765
f	3	3	3	3	3	3	3	3	4	4	4	4	4	5
H	311	347	384	490	541	656	778	933	1102	1259	1395	1560	1708	1990
Kgs	17.8	23.3	28.2	45.8	69	86.2	125	206	278	421	596	771	896	1300

N. Part Name

Materials

1 Body	Cast Iron - BS EN1561 EN-GJL-250
2 Seat Ring	Cast Bronze - ASTM B 62
3 Seat Ring	Cast Bronze - ASTM B 62
4 Wedge	Cast Iron - BS EN1561 EN-GJL-250
5 Stem	Stainless Steel - BS970 420S37
6 Gasket	Graphite
7 Bolt	Steel - BS970 43A
8 Nut	Steel - BS970 43A
9 Bonnet	Cast Iron - BS EN1561 EN-GJL-250
10 Packing	Graphite
11 Gland Follower	Ductile Iron - BS EN1563 EN-GJS-450-10
12 Bolt	Steel - BS970 43A
13 Nut	Steel - BS970 43A
14 Gland Follower Bolt	Steel - BS970 43A
15 Nut	Steel - BS970 43A
16 Yoke	Cast Iron - BS EN1561 EN-GJL-250
17 Yoke Bushing	Cast Brass - BS1400 PCB1
18 Screw	Steel - BS970 43A
19 Yoke Bushing Nut	Cast Iron - BS EN1561 EN-GJL-250
20 Handwheel	Cast Iron - BS EN1561 EN-GJL-250
21 Handwheel Nut	Steel - BS970 43A



V1. Dimensions in mm

This data sheet is designed as a guide and should not be regarded as wholly accurate in every detail. We reserve the right to amend the specification of any product without notice.