

ART 22 PRS

DZR Fixed Orifice Double Regulating Valve (FODRV)



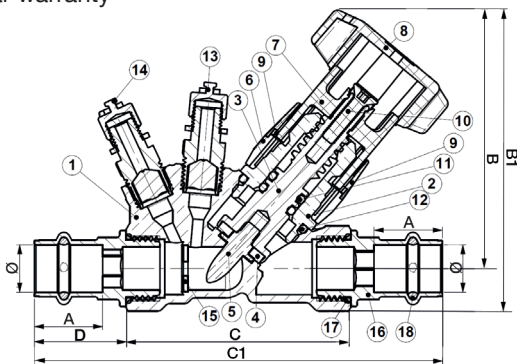
Features

- Universal M & V Profile with 15mm to 35mm
- Dedicated M Profile 42mm & 54mm
- Handwheel with shut off function and clear 360° reading
- Fixed orifice with $\pm 5\%$ flow measurement accuracy
- Conforms to BS 7350 / BS 5154
- 5 year warranty

Technical data

Max pressure: DN15 24 Bar
 DN22 & DN28 20 Bar
 DN35 to DN54 17 Bar

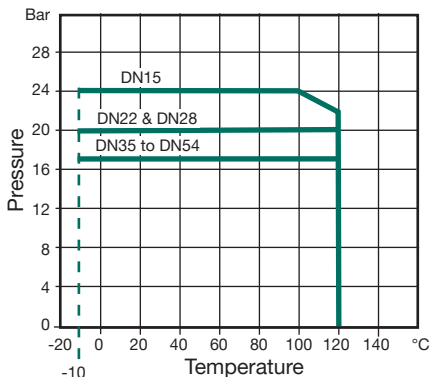
Working temp: -10°C to 120°C



DN	15L	15ML	15	22	28	35	42	54
Ø	15.3	15.3	15.3	22.4	28.3	35.3	42.4	55.6
A	22	22	22	25	27	27	32	33
B	83.4	83.4	83.4	82.2	84.2	86.9	106.7	103.6
B1	97.1	97.1	97.1	99.5	104.4	111.9	136.2	138.6
C	72.5	72.5	72.5	82	95	122	138	161
C1	131.5	131.5	131.5	150	167	194	223	255
D	29.5	29.5	29.5	34	36	36	42.5	47
Kv	0.533	0.738	2.00	3.88	7.28	13.39	18.60	30.10
Kvs	0.6	1.1	2.3	5.3	9.2	19.0	22.1	42.3
Kqs	0.48	0.48	0.46	0.56	0.73	1.16	1.73	2.05

N.	Part Name	Materials
1	Body	DZR Brass CW602N-M
2	Bonnet	DZR Brass CW602N-M
3	Stem for Shutter	DZR Brass CW602N-M
4	Shutter Gasket	EPDM
5	Disc	DZR Brass CW602N-M
6	Fixed Index	POM
7	Entrainer	Nylon 6
8	Knob	Nylon 6
9	1/10 Turn Index	POM
10	Memory Screw	Steel
11	Stem O-Ring	EPDM
12	Bonnet O-Ring	EPDM
13	Outlet Binder Point	Brass
14	Inlet Binder Point	Brass
15	Fixed Orifice	DZR Brass CW602N-M
16	Joint	DZR Brass CW511L-DW

N.	Part Name	Materials
17	O-Ring	EPDM
18	O-Ring	EPDM



V1. Dimensions in mm

This data sheet is designed as a guide and should not be regarded as wholly accurate in every detail. We reserve the right to amend the specification of any product without notice.