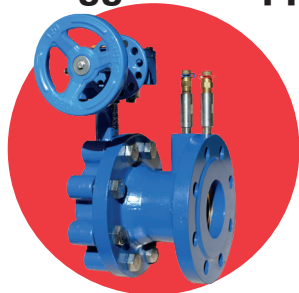


# ART 2135GB

## Fixed Orifice Regulating Lugged & Tapped Butterfly Valve

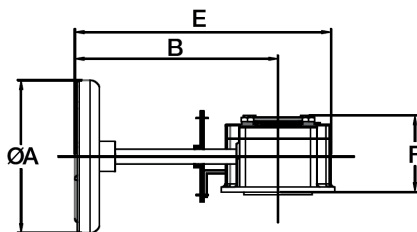
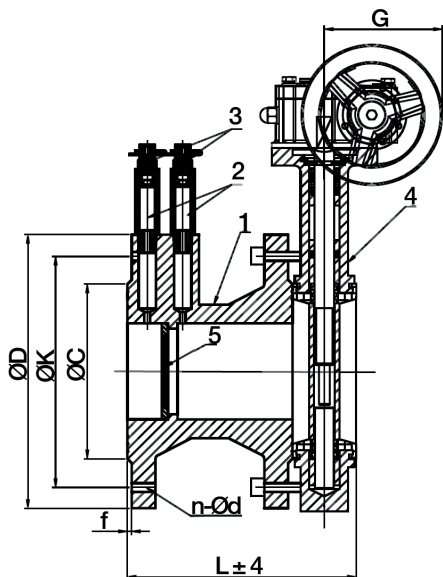


### Features

- Flange Mounting PN16 Only
- Position Indicator
- Fixed orifice with  $\pm 5\%$  flow measurement accuracy
- Supplied with 2 extended test points
- Gearbox has multiple lockable positions
- The ART 2135GB consists of an ART 135 Butterfly Valve coupled to a Fixed Orifice Flanged Metering Station to form a fixed orifice commissioning set with regulation and isolation capabilities
- Supplied fully assembled

### Technical data

Max Pressure: 16 Bar  
Working Temperature:  $-10^{\circ}\text{C}$  to  $+110^{\circ}\text{C}$



| N. | Part Name        | Materials           |
|----|------------------|---------------------|
| 1  | Metering Station | Cast Iron GG25      |
| 2  | Extension        | Stainless Steel 304 |
| 3  | Test Point       | Brass               |
| 4  | Butterfly Valve  | Ductile Iron GGG40  |
| 5  | Fixed Orifice    | Brass               |

| DN  | 50   | 65   | 80   | 100  | 125   | 150   | 200  | 250  | 300  |
|-----|------|------|------|------|-------|-------|------|------|------|
| ØD  | 165  | 185  | 200  | 220  | 250   | 285   | 340  | 405  | 460  |
| ØK  | 125  | 145  | 160  | 180  | 210   | 240   | 295  | 355  | 410  |
| ØC  | 99   | 118  | 132  | 156  | 184   | 211   | 266  | 319  | 370  |
| f   | 3    | 3    | 3    | 3    | 3     | 3     | 3    | 3    | 4    |
| Ød  | 19   | 19   | 19   | 19   | 19    | 23    | 23   | 28   | 28   |
| n   | 4    | 4    | 8    | 8    | 8     | 8     | 12   | 12   | 12   |
| L   | 150  | 156  | 176  | 165  | 195   | 202   | 238  | 275  | 295  |
| ØA  | 122  | 122  | 122  | 122  | 122   | 122   | 200  | 200  | 200  |
| B   | 161  | 161  | 161  | 161  | 161   | 161   | 194  | 194  | 194  |
| E   | 210  | 210  | 210  | 210  | 210   | 210   | 260  | 260  | 260  |
| F   | 61   | 61   | 61   | 61   | 61    | 61    | 72   | 72   | 72   |
| G   | 104  | 104  | 104  | 104  | 104   | 104   | 158  | 158  | 158  |
| Kv  | 60   | 112  | 175  | 314  | 461   | 662   | 1161 | 1705 | 2647 |
| Kvs | 47.5 | 88.5 | 125  | 228  | 328.8 | 477.5 | 826  | 1218 | 1794 |
| Kgs | 12.6 | 14.3 | 18.7 | 21.0 | 27.7  | 34.2  | 53.1 | 77.4 | 97.7 |

V1. Dimensions in mm

This data sheet is designed as a guide and should not be regarded as wholly accurate in every detail. We reserve the right to amend the specification of any product without notice.