

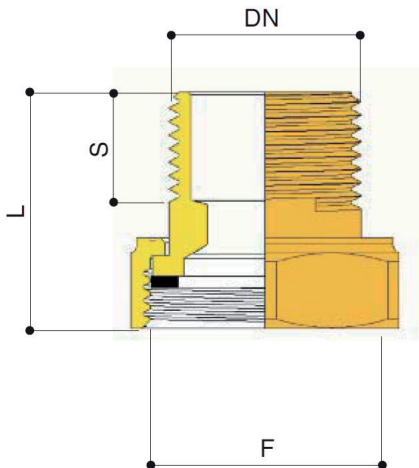
ART 20C Union Tail Pcs

2 Piece Union and Gasket



Features

- To suit ART 20C valves DN10-25
- Two required per ART 20C



DN	3/8"	1/2"	3/4"	1"	1.1/4"	1.1/2"	2"
F	1/2"	3/4"	1"	1.1/4"	1.1/2"	2"	2.1/2"
L	28	28	33	34	37	42	60
S	10	11	11	15	15	20	20

Part Name	Materials
Union	Brass CW617N
Gasket	Fibre Washer