

ART 197 PN16

PN16 Cast Iron Triple Duty Valve



Features

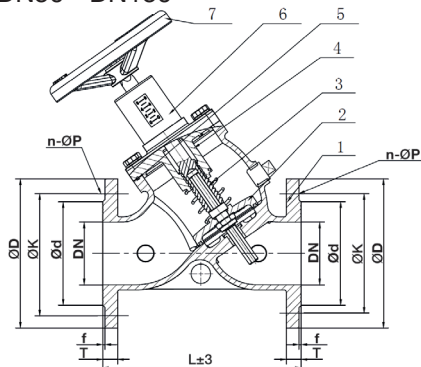
- Combines three functions in one valve
- Isolation, flow regulation and a spring check valve
- Position Indicator
- Designed for discharge side of pump installations
- Flange conforms to BS EN1092 PN16
- Available Flanged PN25

Technical data

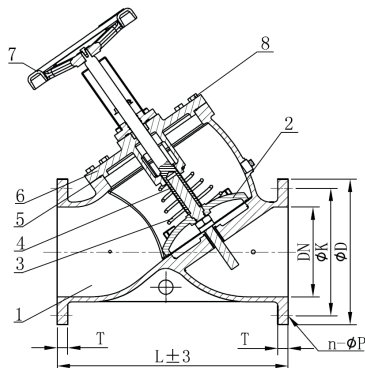
Max Pressure: 16 Bar
 Working Temperature: -20°C to +120°C

	L	ØD	ØK	Ød	T	N-ØP	Kgs
2"	213	165	125	99	20	4-19	12
2½"	250	185	145	118	20	4-19	16
3"	254	200	160	132	22	8-19	19
4"	368	220	180	156	24	8-19	40
5"	407	250	210	184	26	8-19	46
6"	457	285	240	211	26	8-23	70
8"	546	340	295	266	30	12-23	120
10"	648	405	355	319	32	12-28	240
12"	762	460	410	370	32	12-28	350

DN50 - DN150



DN200 - DN300

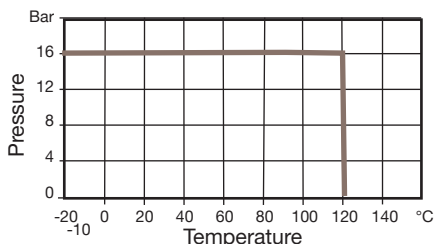


DN50 - DN150

N.	Part Name	Materials
1	Body	Cast Iron
2	Disc	Ductile Iron + EPDM
3	Shaft	Stainless Steel 410
4	Cover	Cast Iron
5	Sealing Ring	EPDM
6	Calibration Device	Plastic ABS
7	Handwheel	Carbon Steel

DN200 - DN300

N.	Part Name	Materials
1	Body	Cast Iron
2	Disc	Ductile Iron + EPDM
3	Spring	Stainless Steel 304
4	Shaft	Stainless Steel 410
5	O-Ring	EPDM
6	Cover	Cast Iron
7	Handwheel	Carbon Steel
8	Bolt	Carbon Steel



V1. Dimensions in mm

This data sheet is designed as a guide and should not be regarded as wholly accurate in every detail. We reserve the right to amend the specification of any product without notice.