

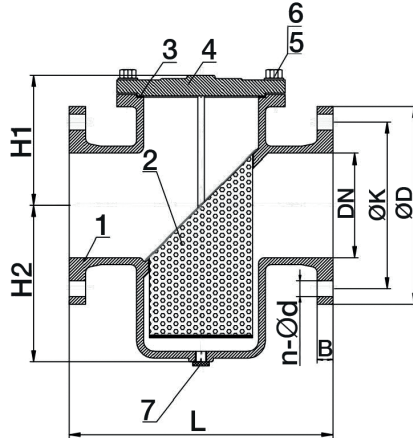
ART 182

ANSI 150 Ductile Iron Single Basket Strainer



Features

- Flanged ANSI 150 (B16.42)
- Conforms to ANSI B16.10
- Fusion Bonded Epoxy Coat Finish



Technical data

Max pressure: 17.2 Bar

Working temp: 0°C to +80°C

DN	1.1/4"	2"	2.1/2"	3"	4"	5"	6"	8"	10"	12"	14"	16"	18"	20"	24"
L	207	207	210	251	292	334	378	475	511	667	769	842	890	900	1000
D	127	152.4	177.8	190.5	228.6	254	279.4	342.9	406.4	482.5	533.4	596.9	635	698.5	812.8
K	98.6	120.7	139.7	152.4	190.5	215.9	241.3	298.5	362	431.8	476.3	539.8	577.9	635	749.3
B	19	19	19	19	19	19	19	20	22	24.5	26.5	28	30	31.5	36
n-Ød	4-16	4-19	4-19	4-19	8-19	8-22	8-22	8-22	12-25	12-25	12-29	16-29	16-32	20-32	20-35
H1	114	114	129	142	165	173	165	215	325	283	345	390	402	441	523
H2	98	98	112	125	160	185	235	295	340	423	585	590	628	696	834

N. Part Name Materials

1	Body	Ductile Iron ASTM A536 65-45-12
2	Screen	Stainless Steel 304
3	Cover Gasket	EPDM
4	Cover	Ductile Iron ASTM A536 65-45-12
5	Bolt	Stainless Steel A2-70
6	Bolt Nut	Stainless Steel A2-70
7	Plug	Stainless Steel 304

