

ART 171

PN16 Ductile Iron Ball Check Valve

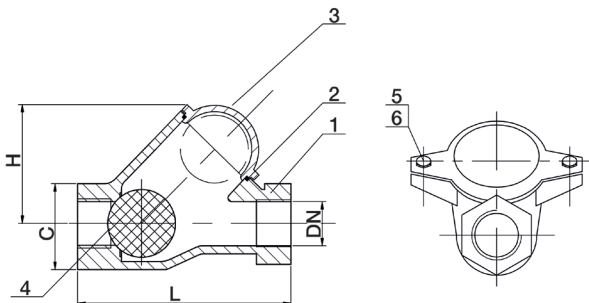


Features

- Screwed BSP Parallel (ISO 228/1)
- Epoxy coat finish

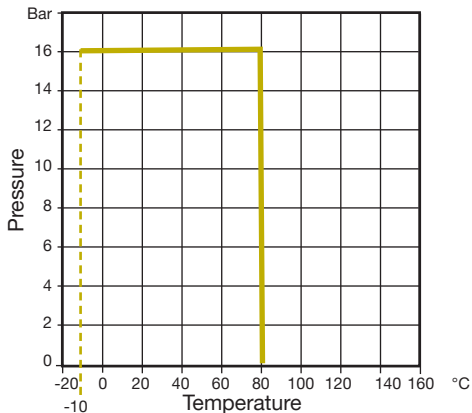
Technical data

Max pressure: 16 Bar
Working temp: -10°C to +80°C



DN	25	32	40	50	65	80
L	125	132	145	174	200	243
C	47	59	70	82	106	132
H	75	75	85	126	113	165
Kgs	1.33	1.71	1.71	4.16	5.46	10.00

N.	Part Name	Materials
1	Body	Ductile Iron GGG40
2	Gasket	NBR
3	Cap	Ductile Iron GGG40
4	Ball	NBR
5	Bolt	Steel A2-70
6	Nut	Steel A2-70



V1. Dimensions in mm

This data sheet is designed as a guide and should not be regarded as wholly accurate in every detail. We reserve the right to amend the specification of any product without notice.