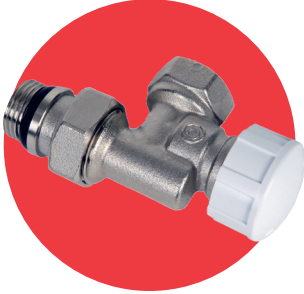


# ART 1564

## Reverse Angle Wheel Head Radiator Valve



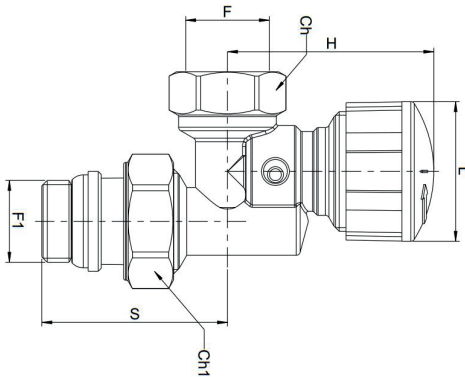
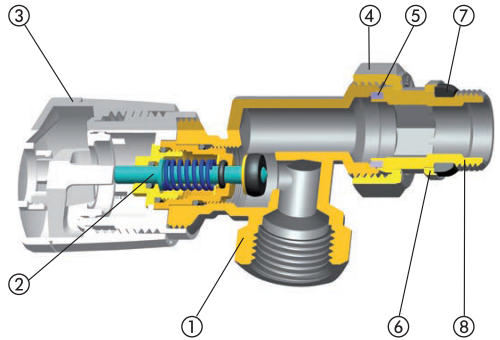
### Features

- Screwed BSP Parallel M/F (ISO 228/1)
- Auto seal tail piece
- Suitable for use with all radiators
- BSP to copper adaptor available on request

### Technical data

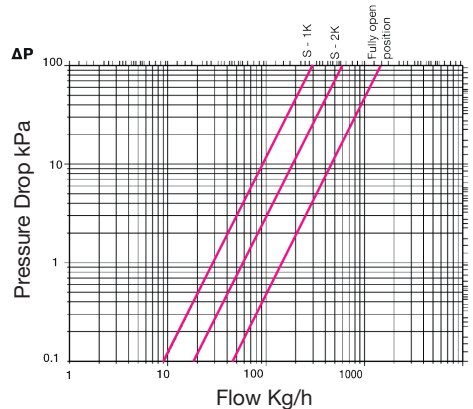
Max pressure: 10 Bar

Max working temp: 100°C



DN	1/2"
S	47
H	73
L	35
Ch	26
Ch1	30

### Flow and Pressure Drop without thermostatic head



### N. Part Name Materials

1 Body	Nickel Plated Brass (CW617N)
2 Bonnet	Nickel Plated Brass (CW617N)
3 Handle	ABS
4 Nut	Nickel Plated Brass (CW617N)
5 Gasket	PTFE
6 Washer	Nickel Plated Brass (CW614N)
7 Gasket Rubber	EPDM
8 Tail Piece	Nickel Plated Brass (CW617N)

V1. Dimensions in mm

This data sheet is designed as a guide and should not be regarded as wholly accurate in every detail. We reserve the right to amend the specification of any product without notice.