

ART 1553

Angle Lockshield Radiator Valve

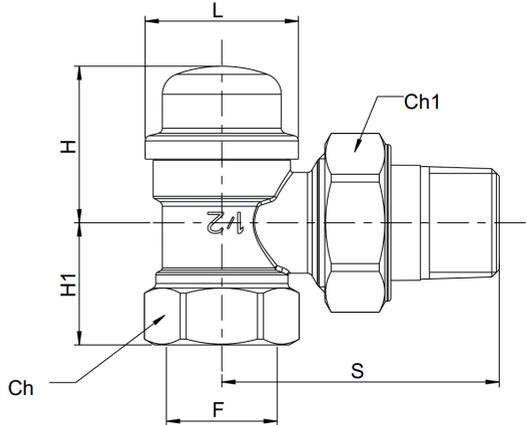


Technical data

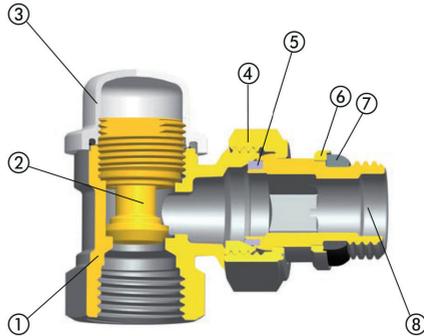
Max pressure: 10 Bar
 Max working temp: 100°C

Features

- Screwed BSP Parallel M/F (ISO 228/1)
- Auto seal tail piece
- Suitable for use with all radiators
- BSP to copper adaptor available on request



DN	3/8"	1/2"	3/4"
S	50	53	60
H	26	29	39
H1	20	23	26
L	26	26	29
Ch	22	26	32
Ch1	25	30	37



N. Part Name Materials

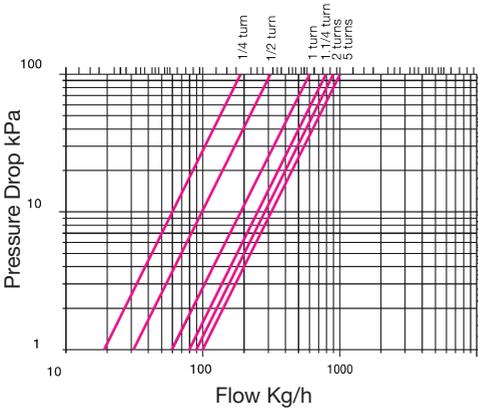
1	Body	Nickel Plated Brass (CW617N)
2	Bonnet	Nickel Plated Brass (CW617N)
3	Cap	ABS
4	Nut	Nickel Plated Brass (CW617N)
5	Gasket	PTFE
6	Washer	Nickel Plated Brass (CW617N)
7	Gasket Rubber	EPDM
8	Tail Piece	Nickel Plated Brass (CW617N)

ART 1553

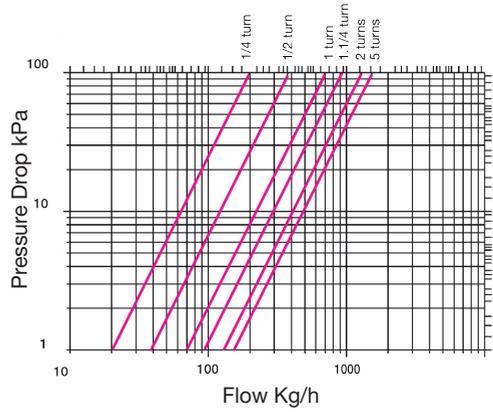


Flow and Pressure Drop

3/8"



1/2"



3/4"

