

# ART 1551

## Straight Lockshield Radiator Valve

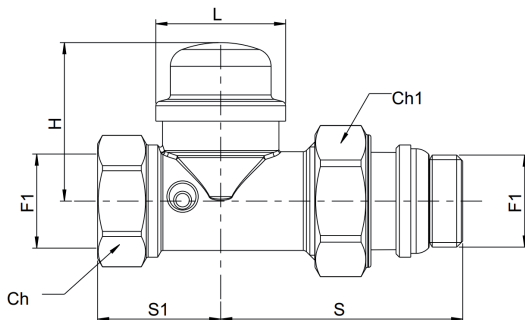


### Features

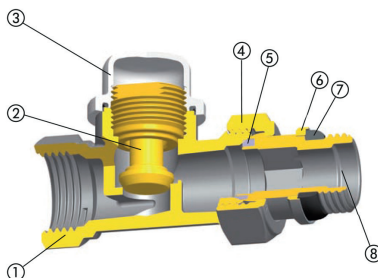
- Screwed BSP Parallel M/F (ISO 228/1)
- Auto seal tail piece
- Suitable for use with all radiators
- BSP to copper adaptor available on request

### Technical data

Max pressure: 10 Bar  
Max working temp: 100°C



DN	3/8"	1/2"	3/4"
S	49	54	63
S1	25	28	33
H	31	35	37
L	26	26	29
Ch	22	26	32
Ch1	25	30	37



### N. Part Name Materials

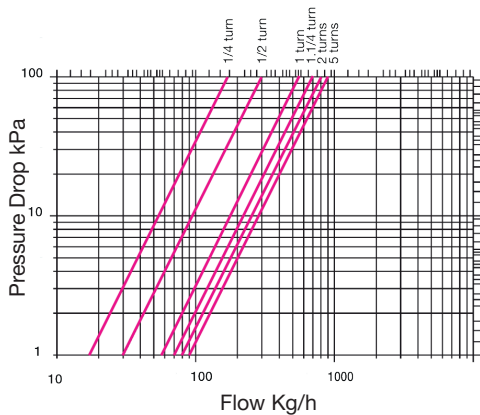
1	Body	Nickel Plated Brass (CW617N)
2	Bonnet	Nickel Plated Brass (CW617N)
3	Cap	ABS
4	Nut	Nickel Plated Brass (CW617N)
5	Gasket	PTFE
6	Washer	Nickel Plated Brass (CW617N)
7	Gasket Rubber	EPDM
8	Tail Piece	Nickel Plated Brass (CW617N)

# ART 1551

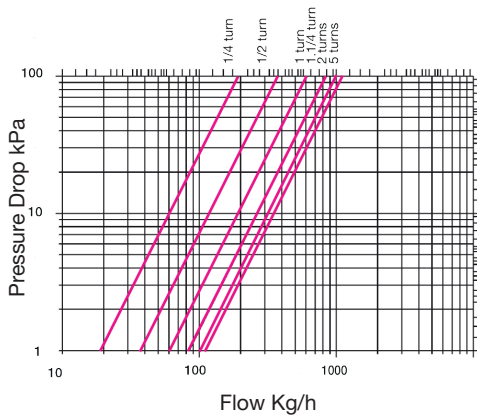


## Flow and Pressure Drop

3/8"



1/2"



3/4"

