

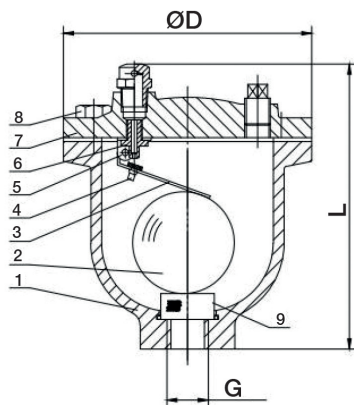
ART 1460

Ductile Iron Single Air Release Valve



Features

- Available in screwed BSP Taper (ISO 7/1) or NPT (ANSI B1.20.1)
- WRAS approved coating
- Internally and externally fusion bonded epoxy coated



Technical data

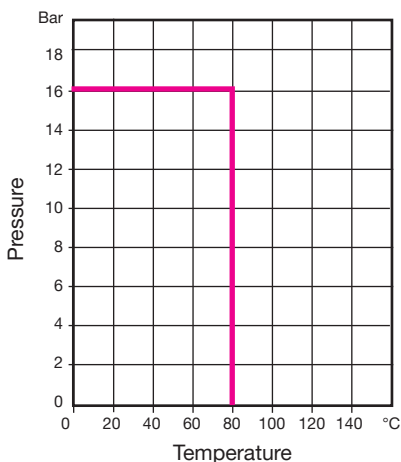
Max. pressure: 16 Bar

Working temp: 0°C to +80°C

DN	15	20	25	32	40	50
G	1/2"	3/4"	1"	1 1/4"	1 1/2"	2"
D	118	118	118	145	145	145
L	145	145	145	225	225	225
Outlet	1/4"	1/4"	1/4"	1/4"	1/4"	1/4"
Air Vent Hole	Ø1.6	Ø1.6	Ø1.6	Ø1.6	Ø1.6	Ø1.6
Kgs	2.50	2.40	2.30	5.80	5.50	5.30

N. Part Name Materials

1	Body	Ductile Iron QT450-10
2	Float Ball	Stainless Steel 304
3	Lever	Stainless Steel 304
4	Plug	NBR
5	Lever Seat	Stainless Steel 304
6	Seat	Stainless Steel 304
7	Cover	Ductile Iron QT450-10
8	Screw	Stainless Steel A2-70
9	Screen	Stainless Steel 304



V1. Dimensions in mm

This data sheet is designed as a guide and should not be regarded as wholly accurate in every detail. We reserve the right to amend the specification of any product without notice.