

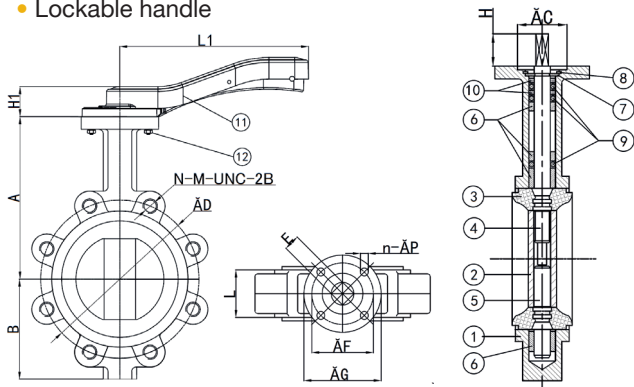
# ART 135 ANSI

## ANSI 150 Ductile Iron Butterfly Valve Lugged and Tapped



### Features

- Flange mounting ANSI Class 150 (B16.42)
- BS5155 (BS EN 593)
- ISO 5211 direct mount
- Lockable handle
- Epoxy coat finish
- MSS-SP-67



### Technical data

Max pressure: 17.2 Bar

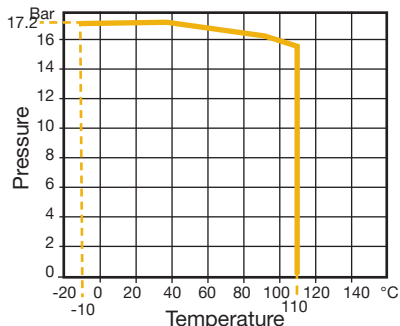
Working temp: -10°C to +110°C

DN	50	65	80	100	125	150	200	250	300
A	142.0	154.5	161.0	180.0	193.0	205.0	250.0	282.0	326.0
B	60	70	85	104	120	135	171	205	248
C	56	56	56	56	56	56	71	71	71
D	120.7	139.7	152.4	190.5	215.9	241.3	298.5	362.0	431.8
E	11	11	11	11	14	14	17	22	22
F	70	70	70	70	70	70	102	102	102
G	90	90	90	90	90	90	125	125	125
H	19	19	19	19	19	19	25	30	30
H1	31	31	31	36	36	36	42	42	42
L	41.4	44.0	44.6	51.4	53.8	55.1	59.5	65.0	75.9
L1	176	176	176	225	225	225	300	359	359
N-M-UNC-2B	4-5/8-11 UNC-2B	4-5/8-11 UNC-2B	4-5/8-11 UNC-2B	8-5/8-11 UNC-2B	8-3/4-10 UNC-2B	8-3/4-10 UNC-2B	8-3/4-10 UNC-2B	12-7/8-9 UNC-2B	12-7/8-9 UNC-2B
N-AP	4-10	4-10	4-10	4-10	4-10	4-10	4-12	4-12	4-12
Torque	19	21	28	43	60	91	194	295	412
Kv	118	258	510	926	1500	2170	3842	5014	9230
Kgs	2.35	2.75	3.05	4.70	5.50	6.75	11.60	20.40	29.10

### N. Part Name Materials

1	Body	Ductile Iron GGG40
2	Disc	Stainless Steel 316 (CF8M)
3	Seat	WRAS EPDM
4	Upper Shaft	Stainless Steel 420
5	Lower Shaft	Stainless Steel 420
6	Bushing	PTFE
7	Cotter Pin	Spring Steel 65Mn
8	Circlip	Spring Steel 65Mn
9	O-Ring	WRAS EPDM
10	Ring	Nylon 6 PA6
11	Handle	DN50-150 Aluminium DN200-300 DI
12	Bolt	Stainless Steel 304

We strongly advise gearbox on all 8", 10" and 12" valves.



V1. Dimensions in mm

This data sheet is designed as a guide and should not be regarded as wholly accurate in every detail. We reserve the right to amend the specification of any product without notice.