

# ART 125GB

## Ductile Iron Butterfly Valve Wafer Type with Gearbox



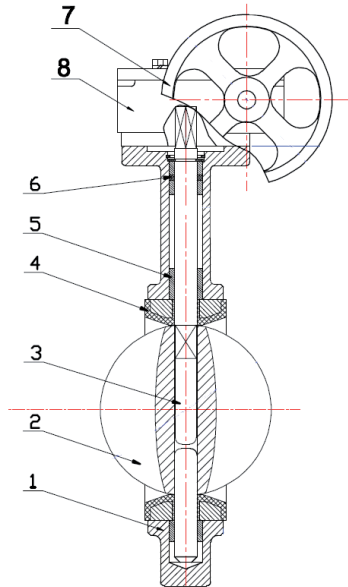
### Features

- Universal flange mounting PN10, PN16, ASA150
- BS5155 (BS EN 593)
- ISO 5211 direct mount
- Epoxy coat finish

### Technical data

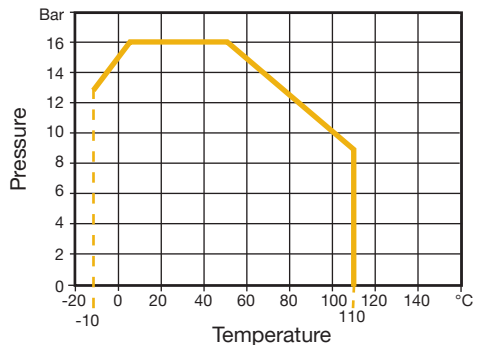
Max pressure: 16 Bar

Working temp: -10°C to +110°C

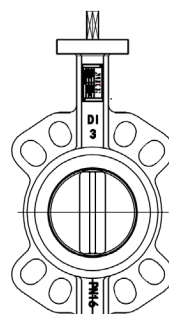
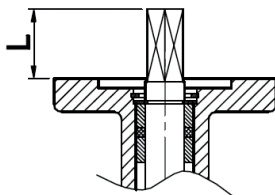
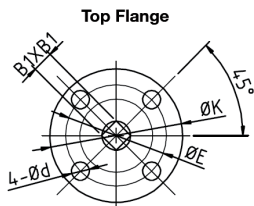
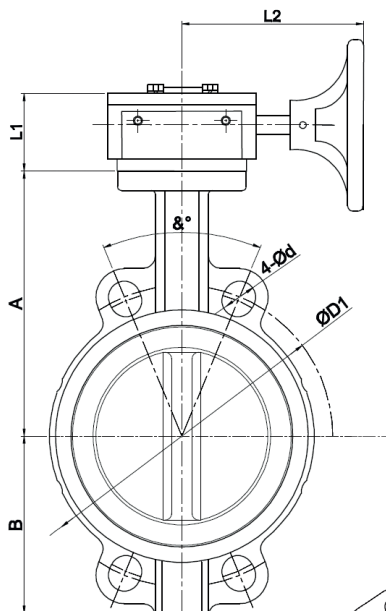
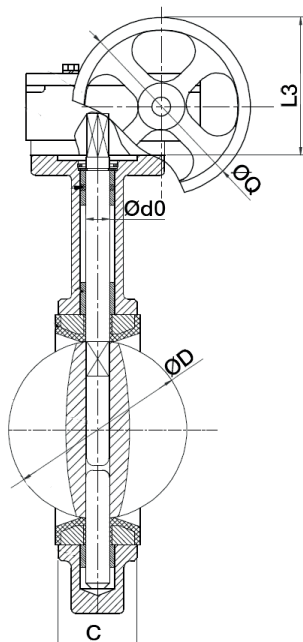


### N. Part Name Materials

|   |           |                            |
|---|-----------|----------------------------|
| 1 | Body      | Ductile Iron GGG40         |
| 2 | Disc      | Stainless Steel 316 (CF8M) |
| 3 | Shaft     | Stainless Steel 410        |
| 4 | Seat      | EPDM                       |
| 5 | Bushing   | PTFE                       |
| 6 | O-Ring    | NBR                        |
| 7 | Handwheel | Cast Iron                  |
| 8 | Gear      | Cast Iron                  |



# ART 125GB



DN80 Only  
Double Lugged

| DN   | 40    | 50    | 65    | 80    | 100   | 125   | 150   | 200   | 250   | 300   | 350   |
|------|-------|-------|-------|-------|-------|-------|-------|-------|-------|-------|-------|
| A    | 120   | 140   | 150   | 158   | 176   | 190   | 211   | 235   | 265   | 305   | 368   |
| B    | 63    | 80    | 89    | 95    | 114   | 127   | 139   | 175   | 203   | 242   | 267   |
| C    | 34    | 42    | 44.7  | 46    | 52    | 54.4  | 55.8  | 60.6  | 65.6  | 76.9  | 76.5  |
| D    | 41.8  | 52.9  | 64.5  | 78.8  | 104   | 123.3 | 155.1 | 202.5 | 250.5 | 301.5 | 333.3 |
| d0   | 12.6  | 12.6  | 12.6  | 12.6  | 15.7  | 18.92 | 18.92 | 22.1  | 28.45 | 31.6  | 31.6  |
| B1   | 9     | 9     | 9     | 9     | 11    | 14    | 14    | 17    | 22    | 22    | 22    |
| L    | 26    | 26    | 26    | 26    | 28    | 28    | 28    | 36    | 36    | 38    | 42    |
| D1   | 110   | 125   | 145   | 160   | 180   | 210   | 240   | 295   | 355   | 410   | 470   |
| 4-Ød | 4-19  | 4-19  | 4-19  | 4-19  | 4-19  | 4-19  | 4-23  | 4-23  | 4-23  | 4-23  | 4-23  |
| &°   | 90°   | 90°   | 90°   | 45°   | 45°   | 45°   | 45°   | 45°   | 30°   | 30°   | 22.5° |
| L1   | 62    | 62    | 62    | 62    | 62    | 62    | 62    | 76    | 76    | 75    | 75    |
| L2   | 156   | 156   | 156   | 156   | 156   | 156   | 156   | 208   | 208   | 186   | 186   |
| L3   | 106.5 | 106.5 | 106.5 | 106.5 | 106.5 | 106.5 | 106.5 | 178.5 | 178.5 | 177   | 177   |
| Q    | 147   | 147   | 147   | 147   | 147   | 147   | 147   | 278   | 278   | 278   | 278   |
| Kv   | 99    | 168   | 259   | 514   | 876   | 1353  | 2687  | 4576  | 7069  |       |       |
| Kgs  | 5.1   | 5.8   | 6.2   | 7.3   | 8.6   | 10.6  | 11.2  | 21.2  | 29.0  | 38.4  | 48.1  |