

ART 125GB DN400-600

Ductile Iron Butterfly Valve Wafer Type with Gearbox



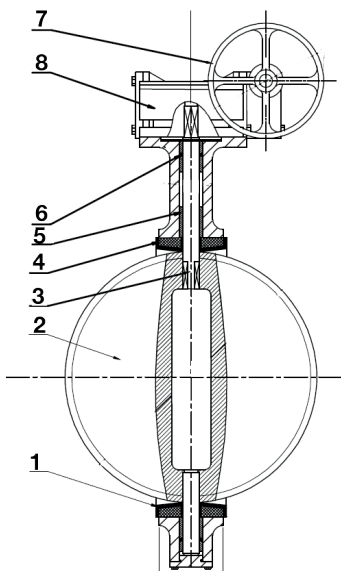
Features

- Universal flange mounting PN10, PN16, ASA150
- BS5155 (BS EN 593)
- ISO 5211 direct mount
- Epoxy coat finish

Technical data

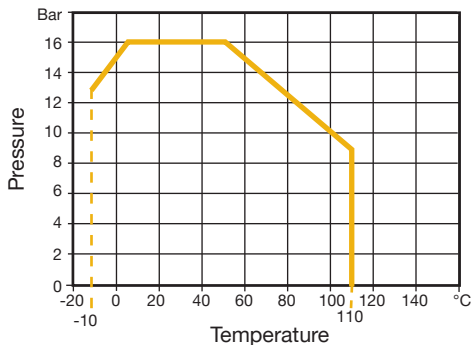
Max pressure: 16 Bar

Working temp: -10°C to +110°C

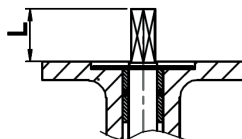
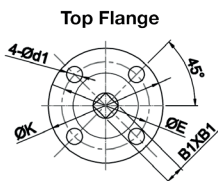
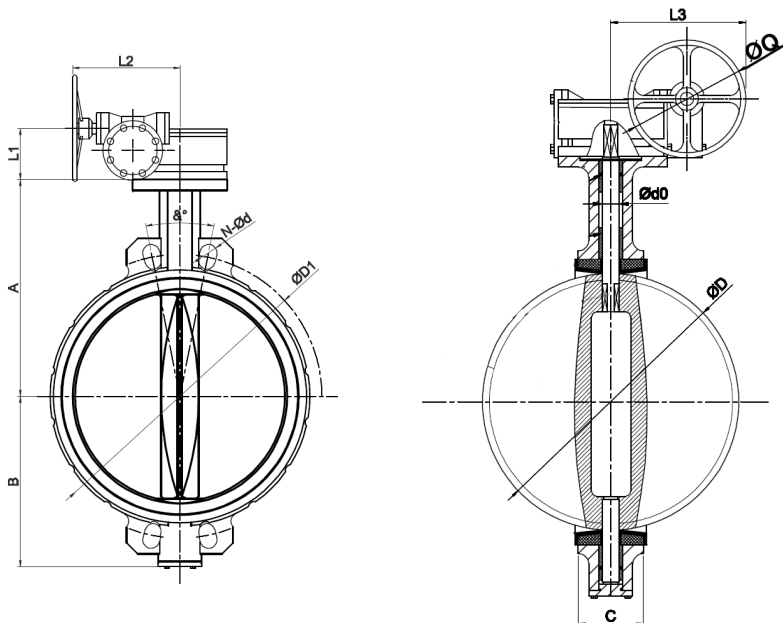


N. Part Name Materials

N.	Part Name	Materials
1	Body	Ductile Iron GGG40
2	Disc	Stainless Steel 316 (CF8M)
3	Shaft	Stainless Steel 410
4	Seat	EPDM
5	Bushing	PTFE
6	O-Ring	NBR
7	Handwheel	Cast Iron
8	Gear	Cast Iron



ART 125GB DN400-600



DN	400	450	500	600
A	405	422	480	562
B	321	328	361	459
C	102	114	127	152
D	389.6	440.5	491.6	592.5
L	50	50	50	60
B1	27	27	36	36
D1	525	585	650	770
N-Ød	4-31	4-31	20-34	20-37
8°	22.5°	18°	18°	18°
L1	110	110	110	128
L2	254	254	254	301
L3	326	326	326	392
Q	290	290	290	385
Kgs	85	107	126	243