

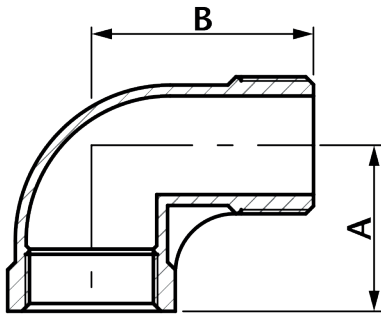
# 90MF

## 90° M/F Elbow

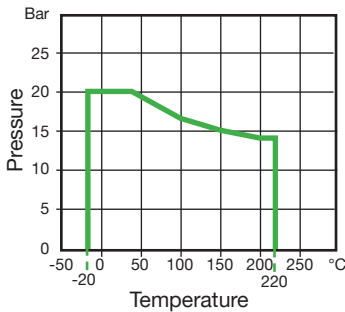


### Features

- Made from CF8M (316) Stainless Steel material and conform to ISO 4144 standard.
- Threads are to ISO 7-1 (DIN2999) BSPP Female, BSPT Male.
- Material certificates available on request.
- Tested & inspected prior to despatch.
- 12 month warranty from date of installation.
- Manufactured in accordance with ISO9001:2015 quality system.



DN	A	B	Kgs
1/8"	17.0	24.2	0.020
1/4"	19.0	27.5	0.032
3/8"	22.0	32.0	0.044
1/2"	27.5	37.8	0.076
3/4"	32.5	42.3	0.113
1"	38.5	51.1	0.194
1 1/4"	45.0	54.0	0.277
1 1/2"	48.0	63.7	0.360
2"	57.0	70.0	0.605
2 1/2"	69.5	83.0	0.919
3"	78.0	94.0	1.583
4"	97.0	115.0	2.696



Temperature (°C)	Non-shock maximum working pressure (bar)
-20 to 40	20
100	16.5
150	15
200	14
220	13.5

- NOTE 1 Pressure for intermediate temperatures may be determined by the interpolation method.
- NOTE 2 Temperatures indicated are those of internal fluid.
- NOTE 3 Piping loads, stresses and moments are not taken into account.