

ART 987T

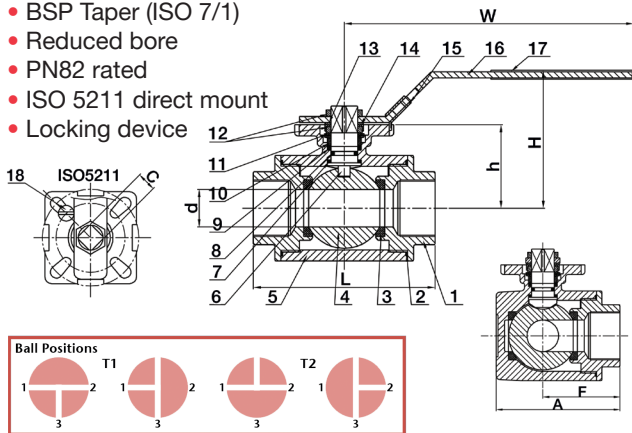
PN82 Stainless Steel

'T' Port Ball Valve



Features

- BSP Taper (ISO 7/1)
- Reduced bore
- PN82 rated
- ISO 5211 direct mount
- Locking device



Technical data

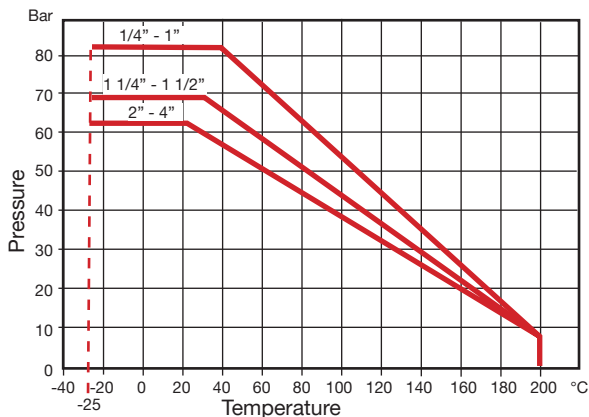
Working temp: -25°C to +200°C

Max pressure: 1/4" - 1" 82 Bar. 1 1/4" - 1 1/2" 69 Bar. 2" - 4" 62 Bar.

DN	1/4"	3/8"	1/2"	3/4"	1"	1 1/4"	1 1/2"	2"	2 1/2"	3"	4"
d	9.5	11.0	12.0	15.0	20.0	25.0	32.0	40.0	49.0	60.0	75.0
L	75	75	75	85	100	122	131	158	178	202	246
H	66	66	66	72	77	92	96	107	135	147	160
W	130	130	130	161	161	203	203	203	254	254	310
h	36.8	36.8	36.8	41.2	46.5	56.0	60.0	70.5	95.5	106.0	119.0
F	37.5	37.5	37.5	42.5	50.0	61.0	65.5	79.0	89.0	101.0	123.0
A	57.5	57.5	57.5	65.5	79.0	97.0	106.5	129.0	145.0	167.0	203.0
C	9	9	9	11	11	14	14	14	17	17	17
ISO5211	F03/F04	F03/F04	F03/F04	F04/F05	F04/F05	F05/F07	F05/F07	F05/F07	F07/F10	F07/F10	F07/F10
Torque	8	8	8	9	15	20	30	45	60	90	120
Kv	1.7	2.9	3.6	5.8	8.8	14.7	24.8	40.1	69.2	98.0	151.1
Kgs	0.70	0.67	0.63	0.94	1.39	2.91	3.66	6.31	8.95	13.11	22.10

N.	Part Name	Materials
1	Cap	CF8M
2	Gasket	PTFE
3	Ball Seat	R-PTFE (15%)
4	Ball	Stainless Steel 316
5	Body	CF8M
6	Stem	Stainless Steel 316
7	Thrust Washer	PTFE
8	O-Ring	Viton
9	Stem Packing	PTFE
10	Stem Ring	Stainless Steel 316
11	Belleville Washer	Stainless Steel 301
12	Nut	Stainless Steel 304
13	Plate Washer	Stainless Steel 304
14	Nut Stopper	Stainless Steel 304
15	Lock Device	Stainless Steel 304
16	Handle	Stainless Steel 304
17	Handle Sleeve	Plastic
18	Stop Pin	Stainless Steel 304

* Torque - Raw torque with no safety added



V1. Dimensions in mm

This data sheet is designed as a guide and should not be regarded as wholly accurate in every detail. We reserve the right to amend the specification of any product without notice.