

ART 902T

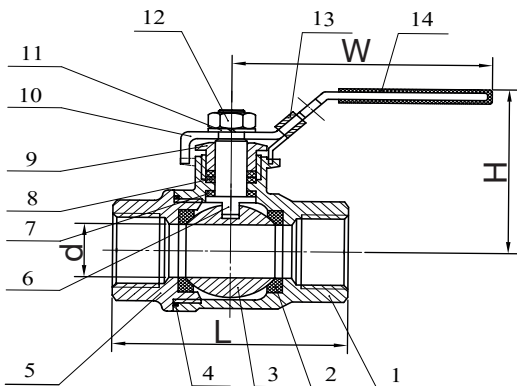
PN82 Stainless Steel

2 Piece Ball Valve



Features

- BSP Taper (ISO 7/1)
- Full bore
- PN82 rated
- Locking device
- Tee handles available for 1/4", 3/8" and 1/2"



Technical data

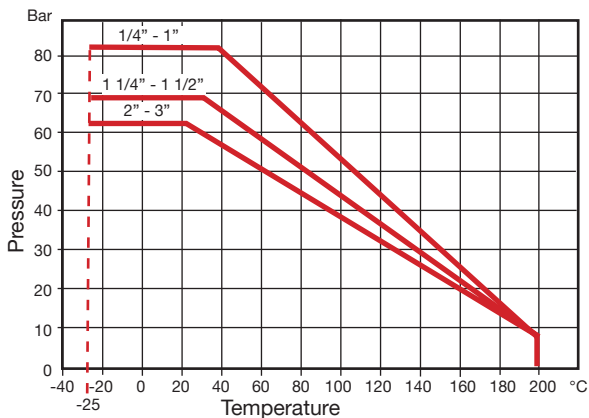
Max pressure: 1/4" - 1" 82 Bar
 1 1/4" - 1 1/2" 69 Bar
 2" - 3" 62 Bar

Working temp: -25°C to +200°C

| DN | 1/4" | 3/8" | 1/2" | 3/4" | 1" | 1 1/4" | 1 1/2" | 2" | 2 1/2" | 3" |
|--------|------|------|------|------|------|--------|--------|-------|--------|------|
| d | 11.5 | 12.5 | 15.0 | 20.0 | 25.0 | 32.0 | 40.0 | 50.0 | 65.0 | 76.0 |
| L | 49 | 49 | 57 | 64 | 77 | 90 | 105 | 125 | 153 | 172 |
| H | 54 | 54 | 56 | 65 | 70 | 75 | 93 | 99 | 123 | 140 |
| W | 105 | 105 | 105 | 118 | 150 | 150 | 182 | 182 | 254 | 254 |
| Torque | 4 | 4 | 5 | 8 | 10 | 14 | 18 | 25 | 48 | 75 |
| Kv | 6.0 | 16.0 | 35.0 | 46.0 | 72.0 | 105.0 | 170.0 | 275.0 | 502 | 905 |
| Kgs | 0.23 | 0.23 | 0.24 | 0.45 | 0.65 | 1.05 | 1.70 | 2.61 | 5.01 | 7.61 |

N. Part Name Materials

| | | |
|----|---------------|---------------------|
| 1 | Body | CF8M |
| 2 | Ball Seat | R-PTFE (15%) |
| 3 | Ball | Stainless Steel 316 |
| 4 | Body Gasket | PTFE |
| 5 | Cap | CF8M |
| 6 | Stem | Stainless Steel 316 |
| 7 | Thrust Washer | PTFE |
| 8 | Stem Packing | PTFE |
| 9 | Gland Nut | Stainless Steel 304 |
| 10 | Handle | Stainless Steel 304 |
| 11 | Spring Washer | Stainless Steel 304 |
| 12 | Nut | Stainless Steel 304 |
| 13 | Lock Device | Stainless Steel 304 |
| 14 | Handle Cover | Plastic |



V1. Dimensions in mm

This data sheet is designed as a guide and should not be regarded as wholly accurate in every detail. We reserve the right to amend the specification of any product without notice.