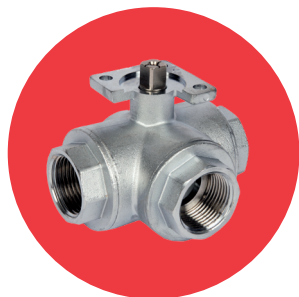


ART 87-88

PN30 Brass 3 Way Ball Valve



Features

- Screwed BSP Parallel (ISO 228/1)
- PTFE seals
- ISO 5211 Direct Mount
- Lever available
- 'L' & 'T' port

Technical data

Max pressure: 1/4" - 3/4" 30 Bar
 1" - 1 1/4" 20 Bar
 1 1/2" - 2" 16 Bar

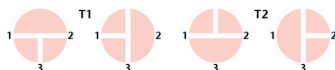
Working temp: -20°C to +120°C

Ball Positions

ART 88



ART 87

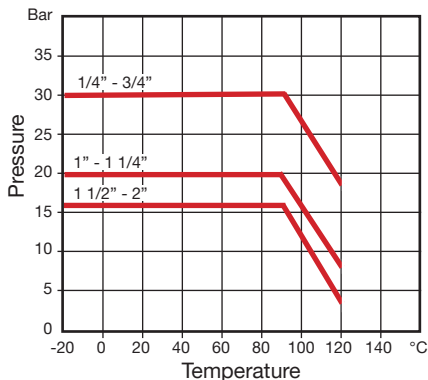
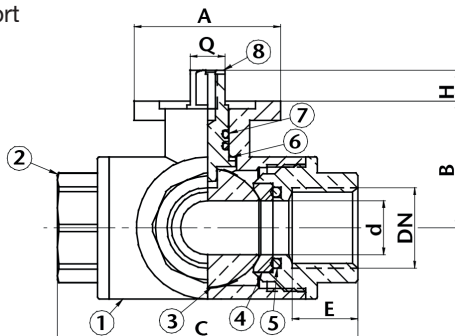


| DN | 1/4" | 3/8" | 1/2" | 3/4" | 1" | 1 1/4" | 1 1/2" | 2" |
|--------------|------|------|------|------|------|--------|--------|------|
| d | 10 | 10 | 14 | 19 | 24 | 30 | 38 | 48 |
| A | 38 | 38 | 38 | 50 | 50 | 50 | 70 | 70 |
| B | 30 | 30 | 33 | 42 | 47 | 52 | 70 | 79.5 |
| C | 65 | 65 | 78 | 87 | 105 | 118 | 134 | 161 |
| E | 15 | 15 | 17 | 18 | 21 | 23.5 | 23.5 | 27.5 |
| H | 10 | 10 | 10 | 12 | 12 | 12 | 16 | 16 |
| Q | 9 | 9 | 9 | 11 | 11 | 11 | 14 | 14 |
| ISO5211 | F03 | F03 | F03 | F05 | F05 | F05 | F07 | F07 |
| Torque | 3 | 3 | 4 | 10 | 13 | 13 | 20 | 25 |
| Kv | 2.7 | 3.0 | 3.5 | 5.9 | 11.0 | 16.0 | 25.4 | 37.4 |
| Kgs (ART 87) | 0.69 | 0.73 | 0.82 | 1.04 | 1.74 | 2.70 | 4.32 | 8.37 |
| Kgs (ART 88) | 0.70 | 0.73 | 0.82 | 1.04 | 1.75 | 2.70 | 4.32 | 8.37 |

Torque calculated at zero pressure includes 25% safety, add 25% for dry duty.

N. Part Name Materials

| | |
|----------|--|
| 1 Body | Brass / Chrome Plated CW617N |
| 2 Cap | Brass / Chrome Plated CW617N |
| 3 Ball | 1/4" - 3/4" Brass / Chrome Plated CW614N 1" - 2" Brass / Chrome Plated CW617N |
| 4 Ring | PTFE |
| 5 O-Ring | Viton |
| 6 Washer | PTFE |
| 7 O-Ring | Viton |
| 8 Stem | Brass / Nickel Plated CW617N |



V1. Dimensions in mm

This data sheet is designed as a guide and should not be regarded as wholly accurate in every detail. We reserve the right to amend the specification of any product without notice.