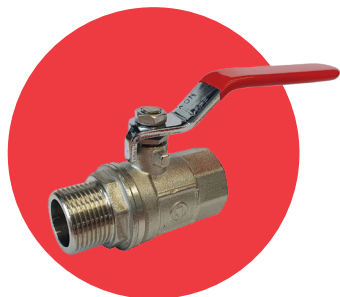


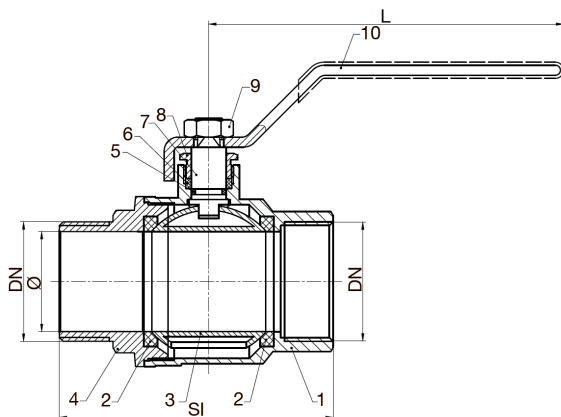
ART 41

PN40 Brass Ball Valve



Features

- Screwed BSP Parallel M/F Ends (ISO 228/1)
- Anti-blow-out stem
- Full bore
- Locking lever, thermal extension and tee handle options available
- For details on handles refer to the Ball Valve Accessory datasheet



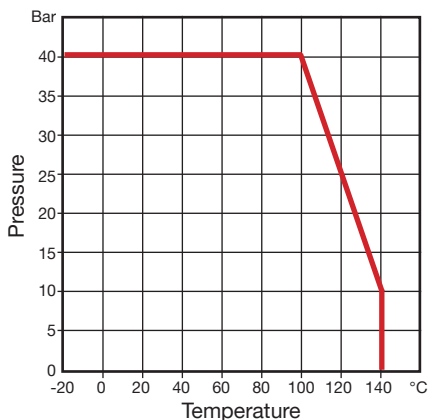
Technical data

Max pressure: 40 Bar

Working temp: -20°C to +140°C

DN	1/4"	3/8"	1/2"	3/4"	1"	1 1/4"	1 1/2"	2"
Ø	8.5	10	14.5	19	24.5	31.5	40	49
SI	52	52	65	72.5	82	96.5	109.6	130
L	82	82	88	100	125	140	140	165
Kv	5.9	9.4	17.0	41.0	70.0	121.0	200.0	292.0
Kgs	0.15	0.14	0.23	0.32	0.48	0.78	1.05	1.62

N.	Part Name	Materials
1	Body	Brass CW617N
2	Ball Seat	PTFE
3	Ball	Brass CW617N
4	Cap	Brass CW617N
5	O-Ring	NBR
6	Packing	PTFE
7	Stem	Brass Hpb59
8	Lock Nut	Brass Hpb59
9	Nut	Steel #201
10	Handle	Steel Q235 + PVC



V1. Dimensions in mm

This data sheet is designed as a guide and should not be regarded as wholly accurate in every detail. We reserve the right to amend the specification of any product without notice.