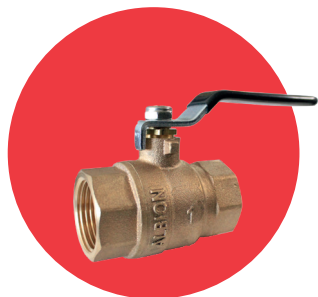


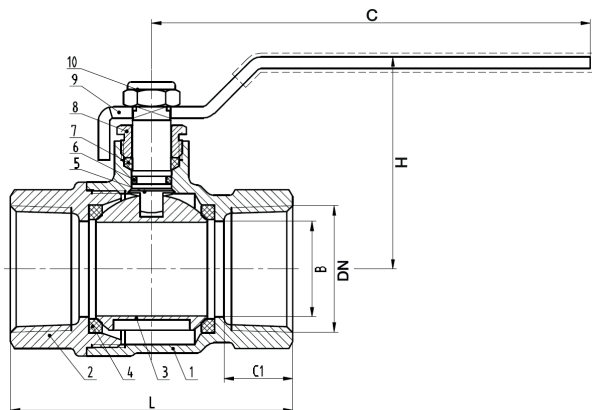
ART 340

PN40 Bronze Ball Valve



Features

- Available in Screwed BSP Taper (ISO 7/1) or NPT (ANSI B1.20.1)
- Full bore
- Anti-blow-out stem
- MSS-SP-110



Technical data

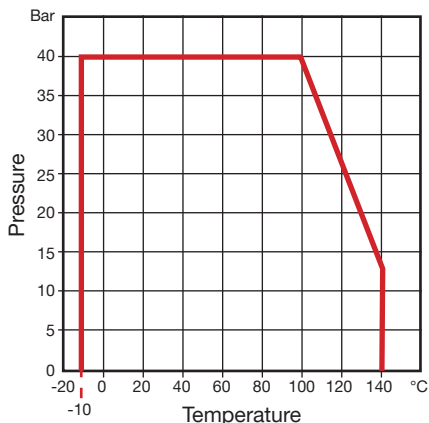
Max pressure: 40 Bar

Working temp: -10°C to +140°C

DN	1/2"	3/4"	1"	1 1/4"	1 1/2"	2"
B	15	20	25	32	40	50
L	54	62	74	85	94	109.5
H	42	51	55	81	87	97
C	95	100	115	141	141	165
C1	14.5	15	18	18.5	18.5	19.5
Kv	13.3	29.1	35.8	73.4	99.5	187.6
Kgs	0.23	0.35	0.54	0.81	1.11	1.77

N. Part Name Materials

1 Body	Bronze ASTM B62 C83600
2 Cap	Bronze ASTM B62 C83600
3 Ball	1/2" to 1" Brass Chrome Plated ASTM CW617N C38000 1.1/4" to 2" Stainless Steel 304 ASTM A240
4 Seat	PTFE
5 Stem	Brass ASTM CW617N C38000
6 O-Ring	NBR N7049 (HA70)
7 Packing	PTFE
8 Packing Nut	Brass Hpb58-2 (C38000) ASTM B455
9 Handle	Steel Q235A A36
10 Hex Nut	Stainless Steel 304 ASTM A240



V1. Dimensions in mm

This data sheet is designed as a guide and should not be regarded as wholly accurate in every detail. We reserve the right to amend the specification of any product without notice.